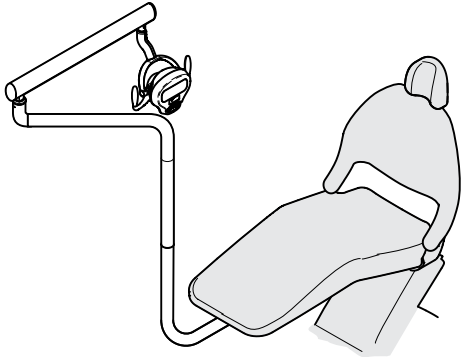
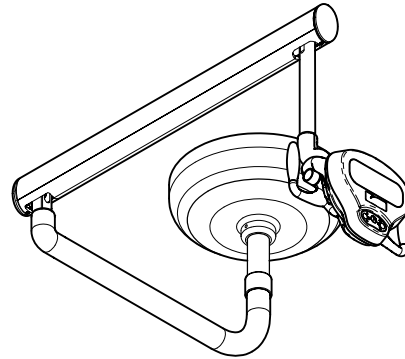


# Pictorial Index: Midmark Dental LED Lights

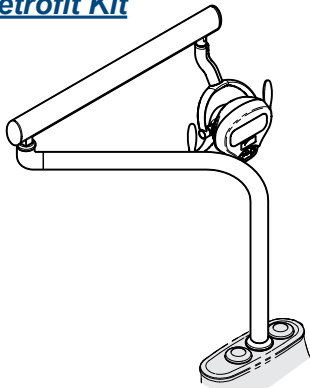
LR Mounted Lights includes  
002 Retrofit Kit



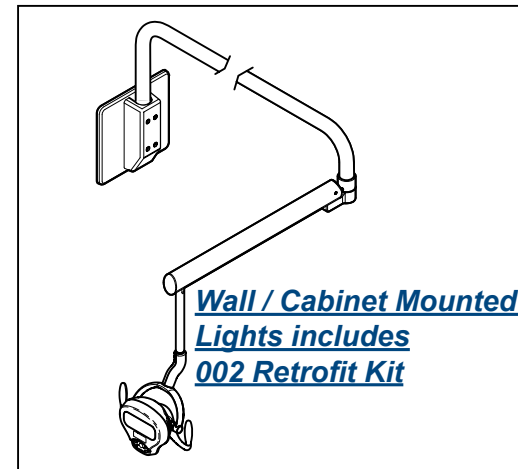
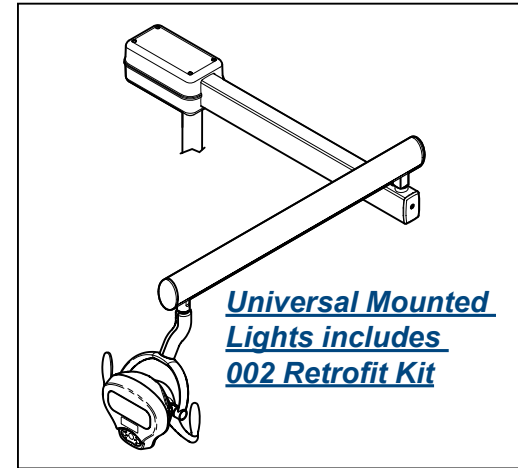
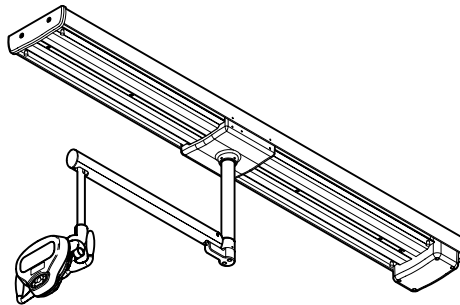
Ceiling Mounted Lights includes  
002 Retrofit Kit



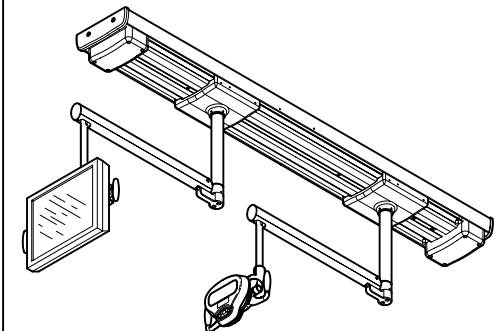
Console Mounted Lights includes  
002 Retrofit Kit



Track Mounted Lights includes  
002 Retrofit Kit



Track Mounted Light w/Monitor  
includes 002 Retrofit Kit



# Console Mounted Lights

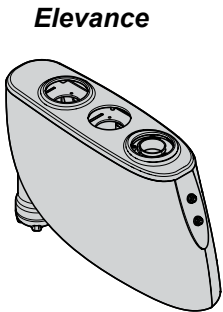
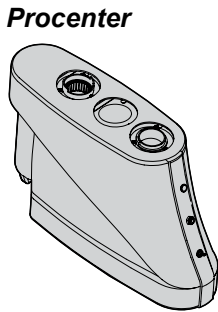
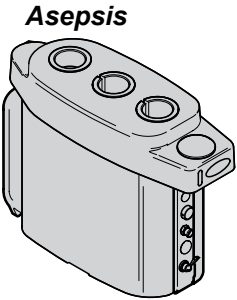
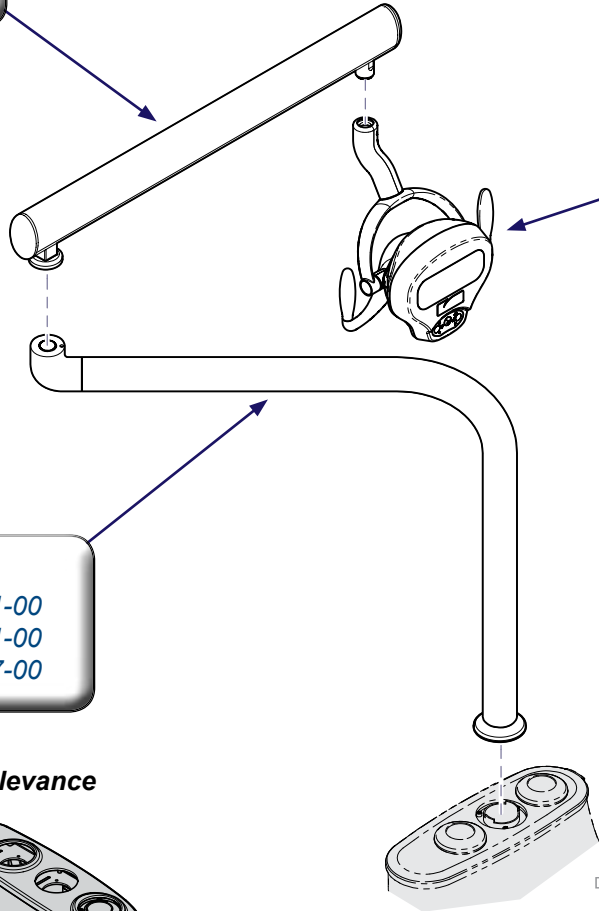
[Flex Arms](#) ..... 004-0920-99

[Lightheads](#) ..... 004-0815-00

[Wiring Diagrams](#) ..... 004-0913-99

[Power Supply Units](#) ..... 004-0820-00

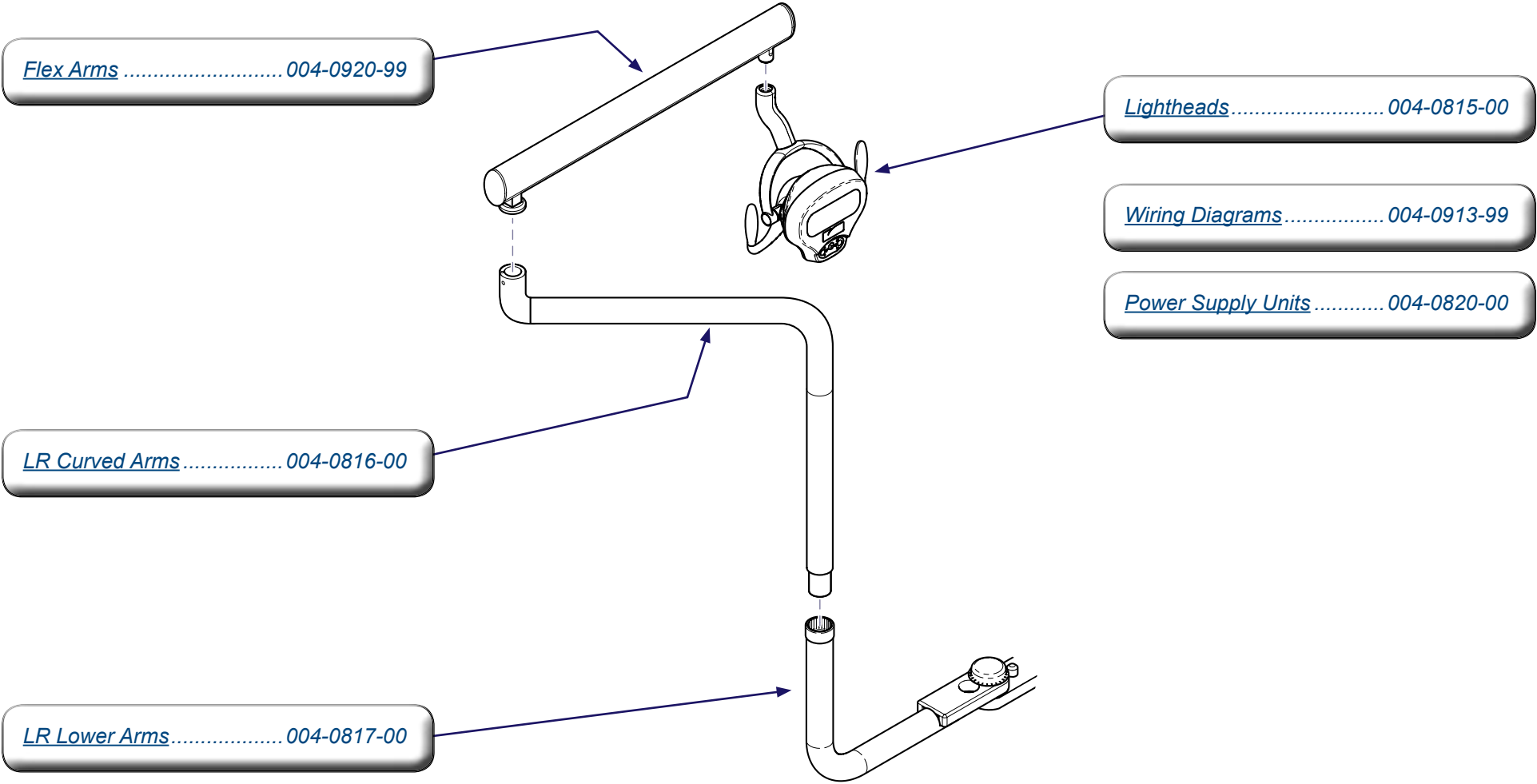
Console Arms / Bearings  
[Asepsis](#) ..... 004-0811-00  
[Procenter](#) ..... 004-0811-00  
[Elevance](#) ..... 004-1057-00



DA3896i

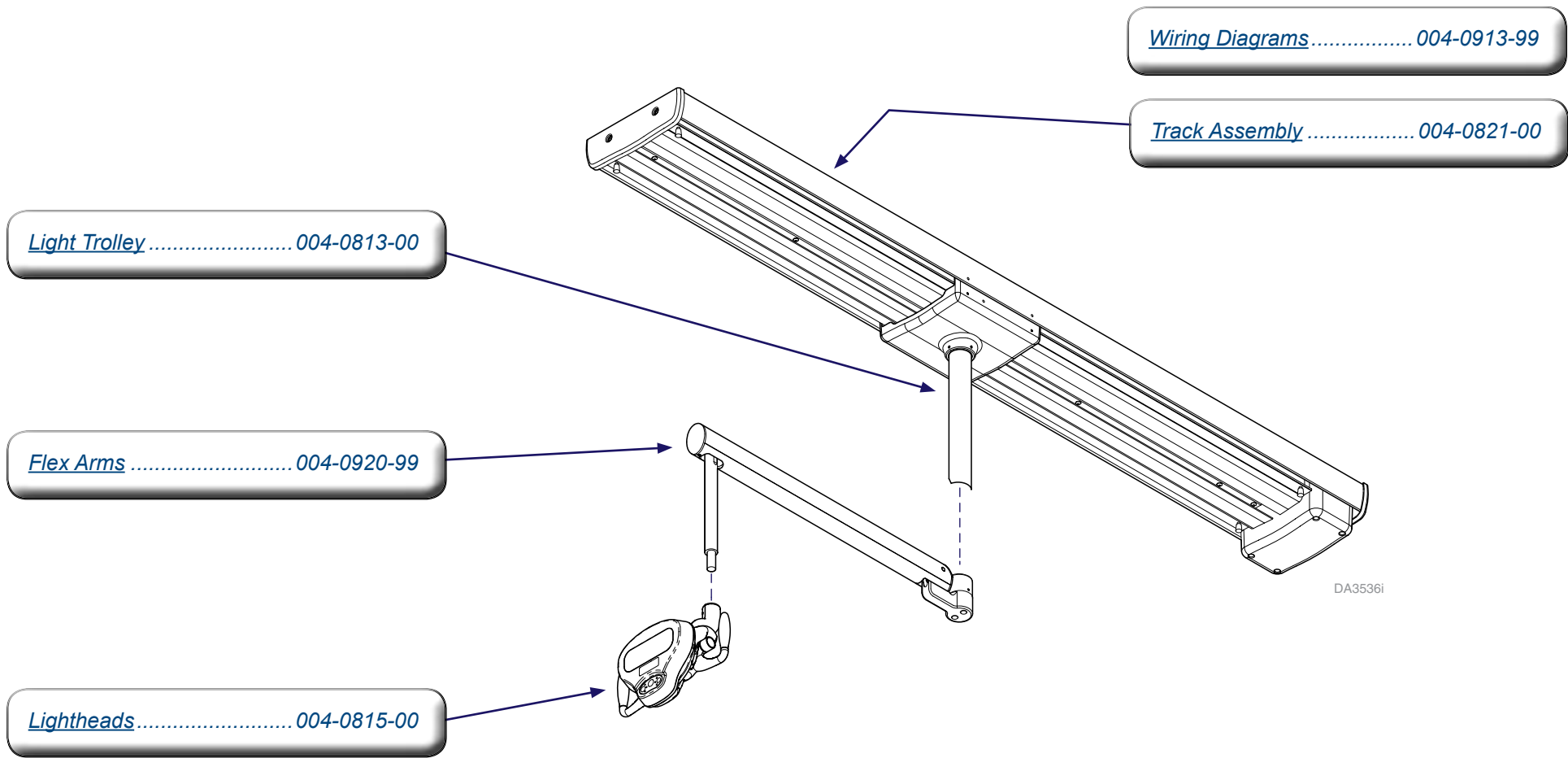
DA3534i

# LR Mounted Lights

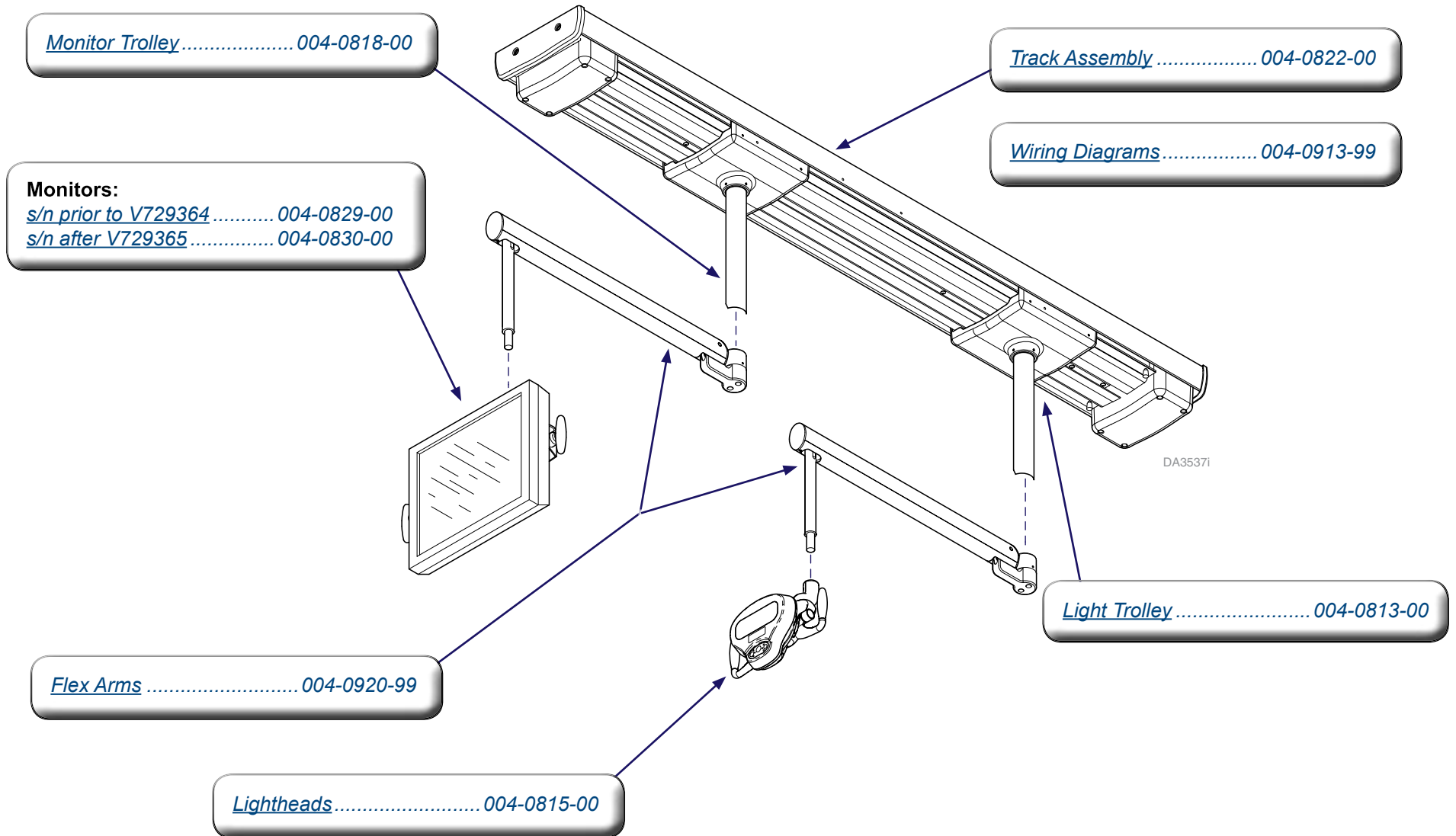


DA3535i

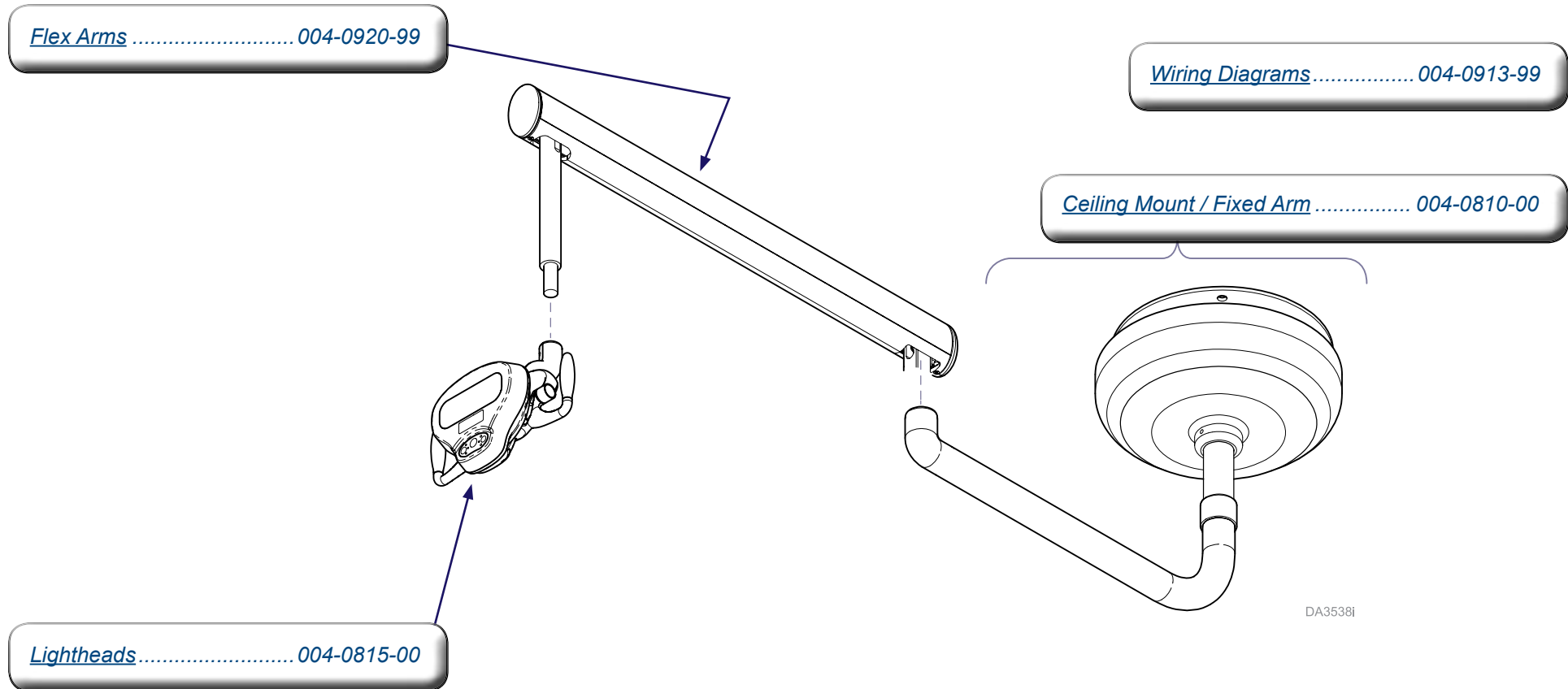
# Track Mounted Lights



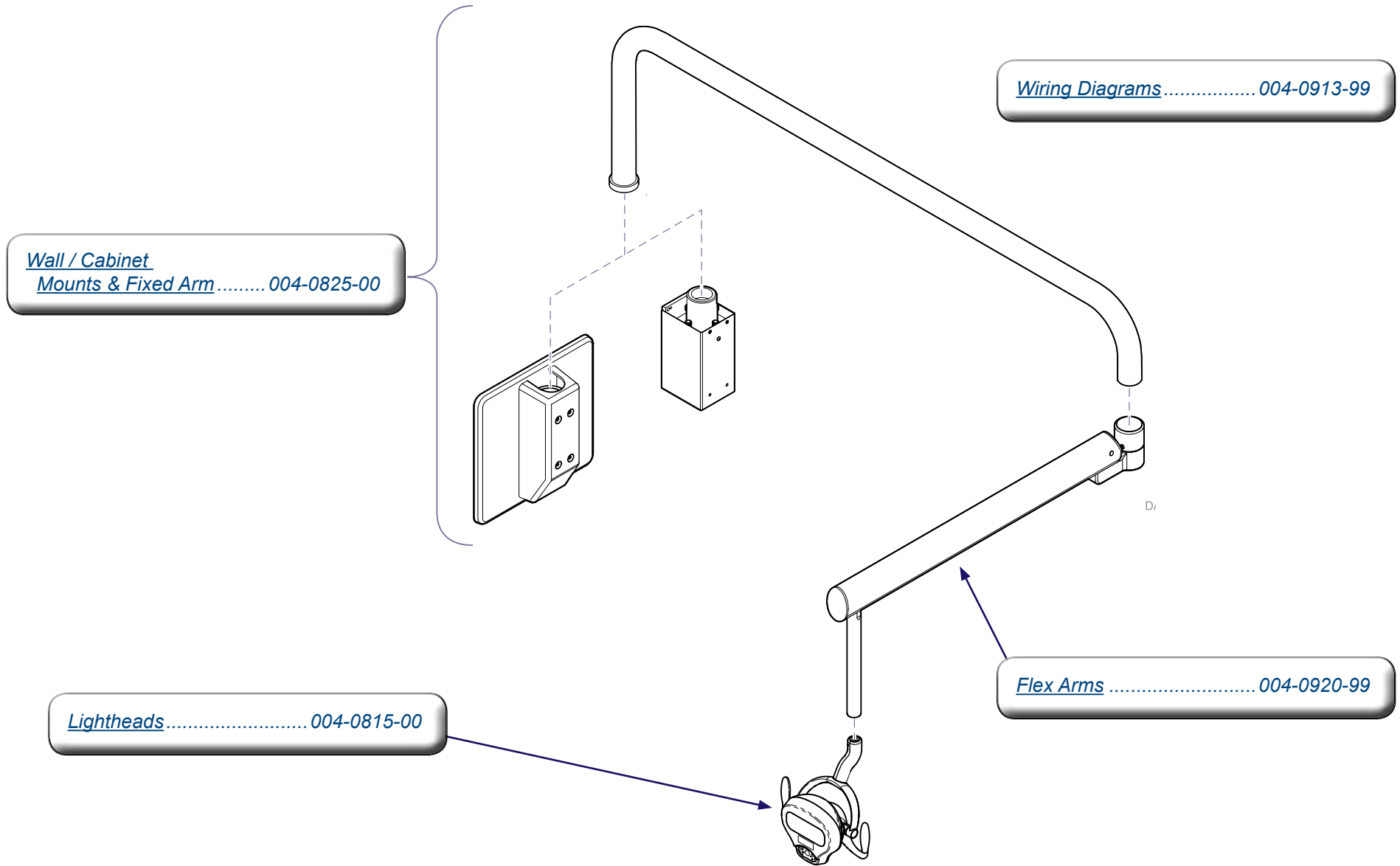
# Track Mounted Light w/Monitor



# Ceiling Mounted Lights



# Wall / Cabinet Mounted Lights

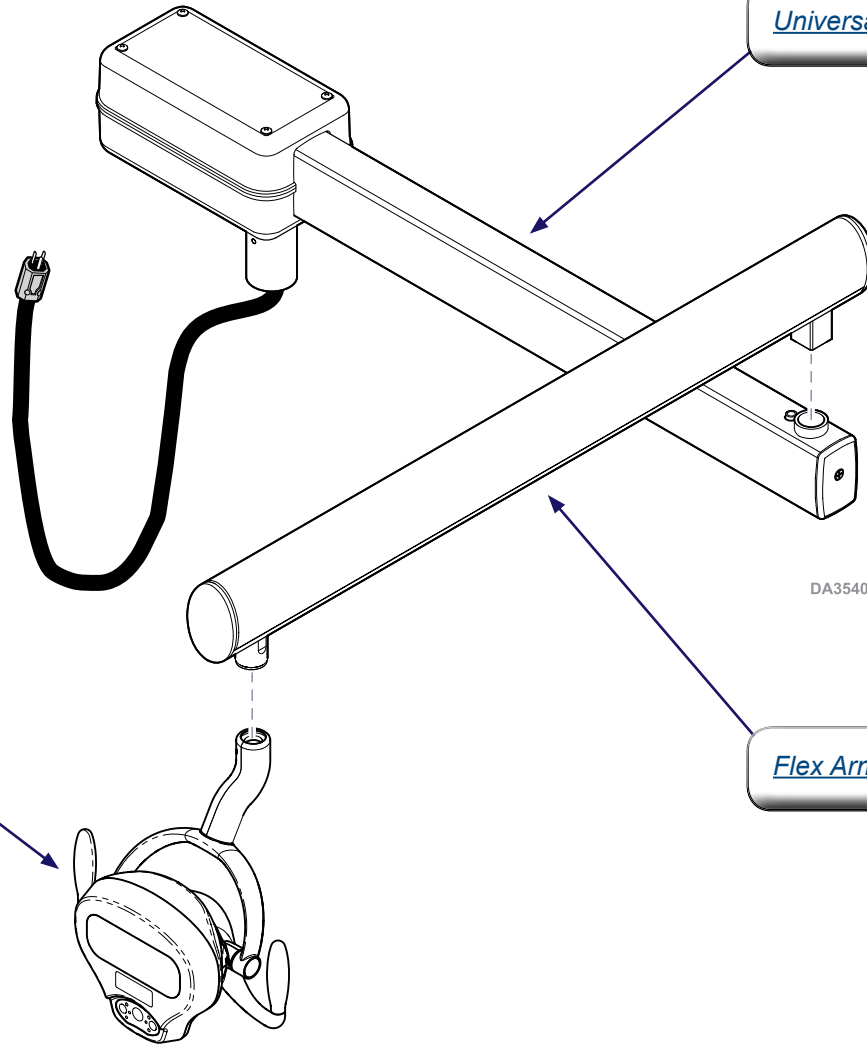


# Universal Mounted Lights

[Universal Mtg. Post \(not shown\)..... 004-0824-00](#)

[Wiring Diagrams..... 004-0913-99](#)

[Universal Fixed Arm ..... 004-0823-00](#)



[Lighthouse..... 004-0815-00](#)

[Flex Arms ..... 004-0920-99](#)