

Midmark Dental Stools



Model Numbers:

153811

153812

Serial Number Prefixes:
V & VAG

Service and Parts Manual



M00000

FOR USE BY MIDMARK TRAINED TECHNICIANS ONLY

Table of Contents

General Information

GENERAL INFORMATION

Symbols.....	iii
Ordering Parts	iii
Serial Number Location	iii
Specifications	iv
Cleaning	iv
Scheduled Maintenance.....	v
Warranty Information	vi

Section A

TROUBLESHOOTING

not available

Section B

TESTING & ADJUSTMENTS

not available

Section C

ACCESS PROCEDURES

not available

Section D

WIRING DIAGRAMS

not available

Section E

EXPLODED VIEWS & PARTS LISTS

Pictorial Index:

<i>Assistant's Stool</i>	E-2
<i>Doctor's Stool</i>	E-3

Assistant's Stool:

Base Components	E-4
Seat Components	E-5
Body Support.....	E-6
Ratchet Assembly.....	E-7
Backrest	E-8
Footrest	E-9

Doctor's Stool:

Base Components	E-10
Seat Components:	
<i>Standard</i>	E-11
<i>Small</i>	E-12
Backrest	E-13
Armrests	E-14

Carton / Packaging	E-15
--------------------------	------

(*) Indicates multiple pages due to model / serial number break(s).

Symbols



DANGER

*Indicates an imminently hazardous situation which **will** result in serious or fatal injury if not avoided.*

This symbol is used only the most extreme conditions.



WARNING

Indicates a potentially hazardous situation which could result in serious injury if not avoided.



Caution

Indicates a potentially hazardous situation which may result in minor or moderate injury if not avoided. It may also be used to alert against unsafe practices



Equipment Alert

Indicates a potentially hazardous situation which could result in equipment damage if not avoided.

The symbols below may be used in this manual to represent the operational status of table functions and components.



Indicates the function / component is working properly. No action required.



Indicates the function / component is working, but a problem exists.



Indicates the function is not working at all, or that the component is faulty.

Ordering Parts

The following information is required when ordering parts:

- Serial number & model number
- Part number for desired part
(Refer to Section E: Exploded Views & Parts Lists)

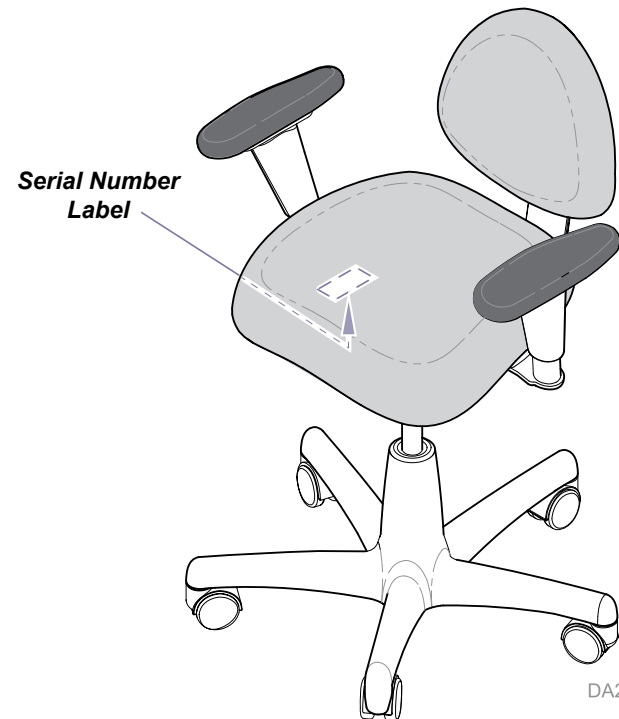
Non-warranty parts orders may be faxed to Midmark using the Fax Order Form in the back of this manual.

For warranty parts orders, call Midmark's Technical Service Department with the required information.

Hours: 8:00 am to 5:00 p.m. EST (Monday thru Friday)

Phone: 1-800-Midmark

Serial Number Location



DA2012i

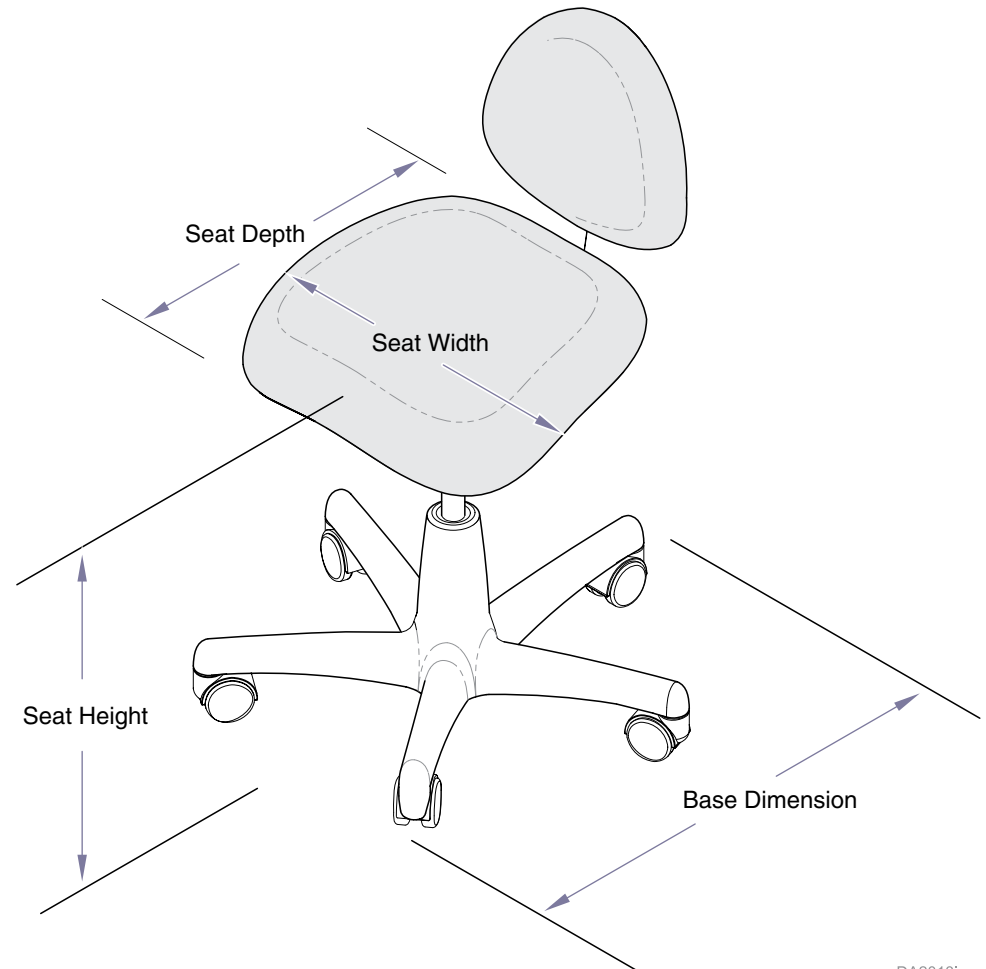
Specifications

Doctor's Stool (153811)	
Weight Rating	350 lbs (159 kg)
Seat Height: <i>Standard models</i>	Min: 16.5 in. (42 cm) Max: 22 in. (56 cm)
<i>Short models</i>	Min: 15.25 in. (39 cm) Max: 18.3 in. (46.48 cm)
<i>Tall models</i>	Min: 20.9 in. (53.09 cm) Max: 28.7 in. (72.90 cm)
Seat Dimensions: <i>Standard Seat</i>	Width: 17.5 in (44.5 cm) Depth: 16.5 in. (42 cm)
<i>Small Seat</i>	Width: 16.25 in (41 cm) Depth: 16 in. (40.6 cm)
Base Dimension	24 x 24 in. (61 x 61 cm)

Assistant's Stool (153812)	
Weight Rating	350 lbs (159 kg)
Seat Height: <i>Standard models</i>	Min: 21.7 in. (55.12 cm) Max: 27.5 in. (70 cm)
<i>Short models</i>	Min: 17.8 in. (45.21 cm) Max: 20.8 in. (52.83 cm)
Seat Dimensions	Width: 16.25 in (41 cm) Depth: 16 in. (40.6 cm)
Base Dimension	24 x 24 in. (61 x 61 cm)

Cleaning

- Clean upholstery with diluted bleach solution. Ratio - 10:1 (water:bleach)
- Clean the stool as necessary, wiping the painted metal and plastic surfaces with a clean, soft cloth, and a mild cleaner. Periodic applications of common furniture wax will ease cleaning and maintain the finished luster of the stool.



DA2013I

Scheduled Maintenance Chart

Scheduled Maintenance: Midmark Dental Stools		
Interval	Inspection / Service	Description
Weekly	Cleaning	Clean upholstery with appropriate diluted bleach solution 10:1 (water: bleach)
		Wipe painted metal & plastic surfaces with a clean soft cloth and mild cleaner. (Note: Periodic application of common furniture wax will ease cleaning and maintain the luster of the surfaces).
	Obvious Damage	Visually inspect components for damage that could result in unsafe operation.
Semi-Annually	Mechanical Operation	Check all mechanical functions for proper operation.
	Labels / Decals	Replace any missing or illegible labels.
	Hardware	All fasteners must be present and fastened securely.
Date of Service:		Model Number:
Location:		Serial Number:
Service Technician:		Notes:

Warranty Information

SCOPE OF WARRANTY

Midmark Corporation ("Midmark") warrants to the original purchaser of its Dental Care products and components (except for components not warranted under "Exclusions") manufactured by Midmark to be free from defects in material and workmanship under normal use and service. Midmark's obligation under this warranty is limited to the repair or replacement, at Midmark's option, of the parts or the products the defects of which are reported to Midmark within the applicable warranty period and which, upon examination by Midmark, prove to be defective.

APPLICABLE WARRANTY PERIOD

The applicable warranty period, measured from the date of delivery to the original user, shall be as follows:

DENTAL PRODUCTS are warranted against defects in material and workmanship for the period indicated below from the time of delivery:

- a) 2 years for all products and components (except for the periods in b through f).
- b) "KINK-VALVE" module carries a 10 year warranty.
- c) The original light bulb on a new light carries a 1 year warranty.
- d) Accessories not manufactured by Midmark are excluded (i.e. Fiber optic systems, scalers, electric micromotor systems, X-ray viewers, etc.)
- e) Replacement parts and accessories carry a 90 day warranty.
- f) Spring Health UniLite Curing Light warranty is 1 year; however, it does not cover the bulb and light guides. To receive warranty, call Spring Health at 1-610-630-9171.

STERILIZER PRODUCTS are warranted against defect in material and workmanship for a period of 1 year from the time of delivery.

CASEWORK PRODUCTS are warranted against defect in material and workmanship for the period indicated below from the time of delivery:

- a) Five (5) years for all products and components (except for the shorter periods in b and c), including plastic laminate top surfaces, door and drawer fronts, casters, and electrical components such as task lights and cords.
- b) Three years for task light ballast.
- c) One (1) year for plastic laminate top surfaces and accessories.

EXCLUSIONS

This warranty does not cover and Midmark shall not be liable for the following: (1) repairs and replacements because of misuse, abuse, negligence, alteration, accident, freight damage, or tampering; (2) matching of color, grain, or texture except to commercially acceptable standards; (3) changes in color caused by natural or artificial light; (4) products which are not installed, used, and properly cleaned as required in the Midmark "Installation" and/or "User's Guide" for the applicable product; (5) products considered to be of a consumable nature; (6) accessories or parts not manufactured by Midmark; (7) specially manufactured products; (8) charges by anyone for adjustments, repairs, replacement parts, installation, or other work performed upon or in conjunction with such products which is not expressly authorized in writing in advance by Midmark.

EXCLUSIVE REMEDY

Midmark's only obligation under this warranty is the repair or replacement of defective parts. Midmark shall not be liable for any direct, special, indirect, incidental, exemplary, or consequential damages or delay, including, but not limited to, damages for loss of profits or loss of use.

NO AUTHORIZATION

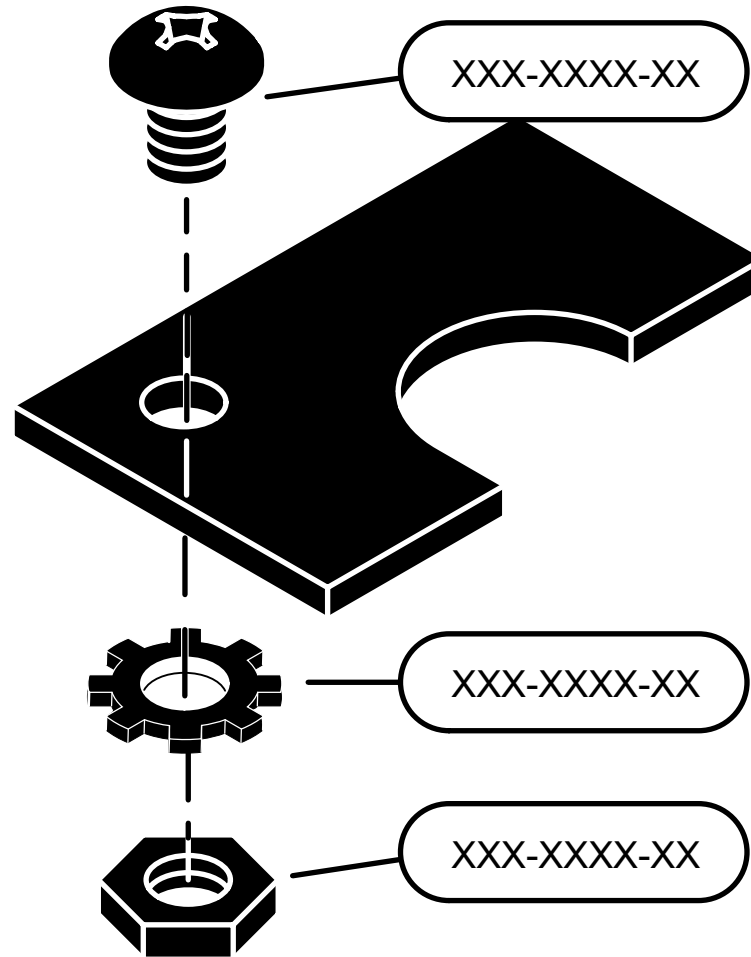
No person or firm is authorized to create for Midmark any other obligation or liability in connection with the products.

THIS WARRANTY IS MIDMARK'S ONLY WARRANTY AND IS IN LIEU OF ALL OTHER WARRANTIES, EXPRESS OR IMPLIED. MIDMARK MAKES NO IMPLIED WARRANTIES OF ANY KIND INCLUDING ANY WARRANTIES OF MERCHANTABILITY OR FITNESS FOR ANY PARTICULAR PURPOSE. THIS WARRANTY IS LIMITED TO THE REPAIR OR REPLACEMENT OF DEFECTIVE PARTS.

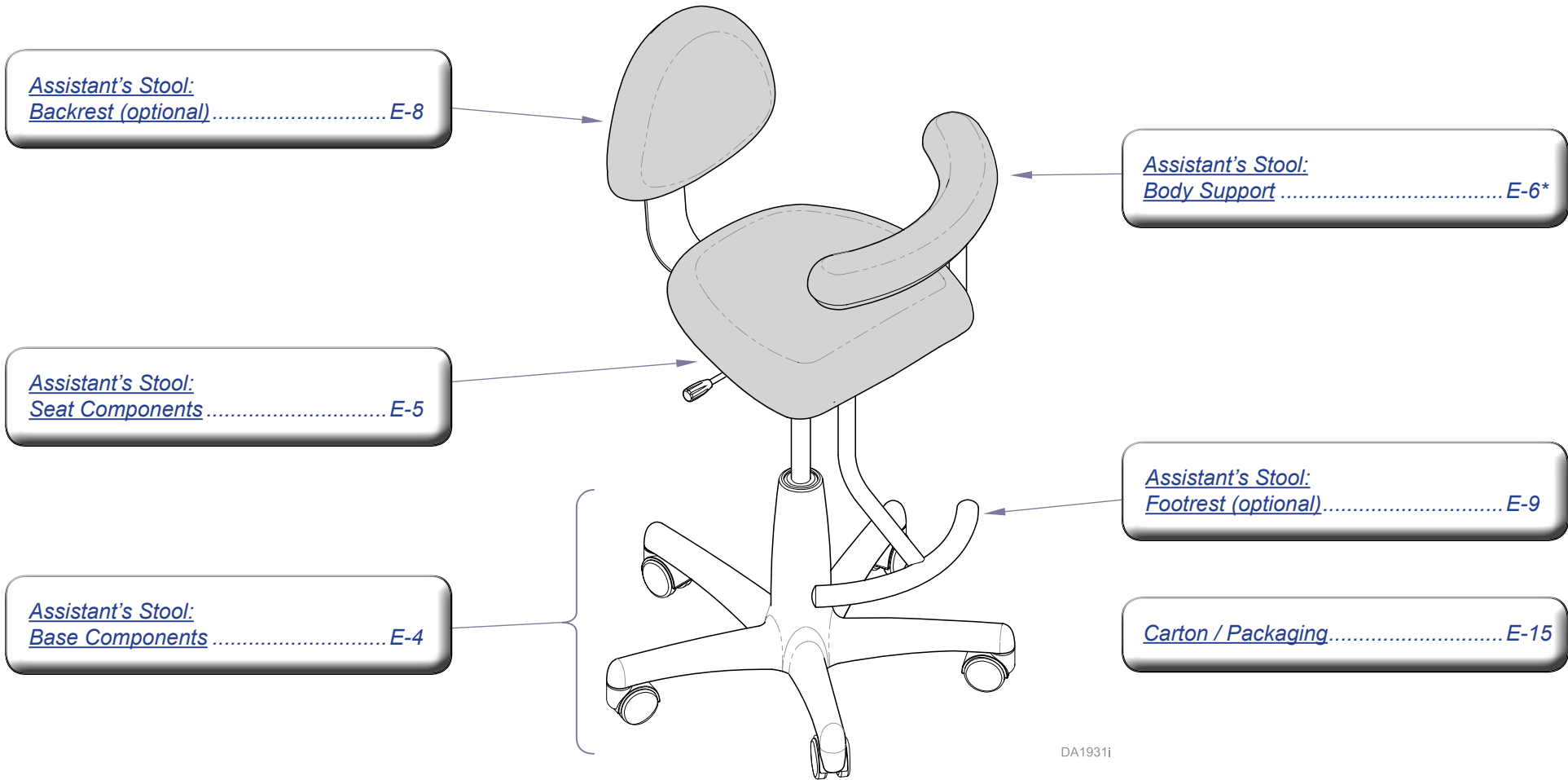
Section E

Exploded Views & Parts Lists

<u>Assistant's Stool</u>	E-2
<u>Doctor's Stool</u>	E-3



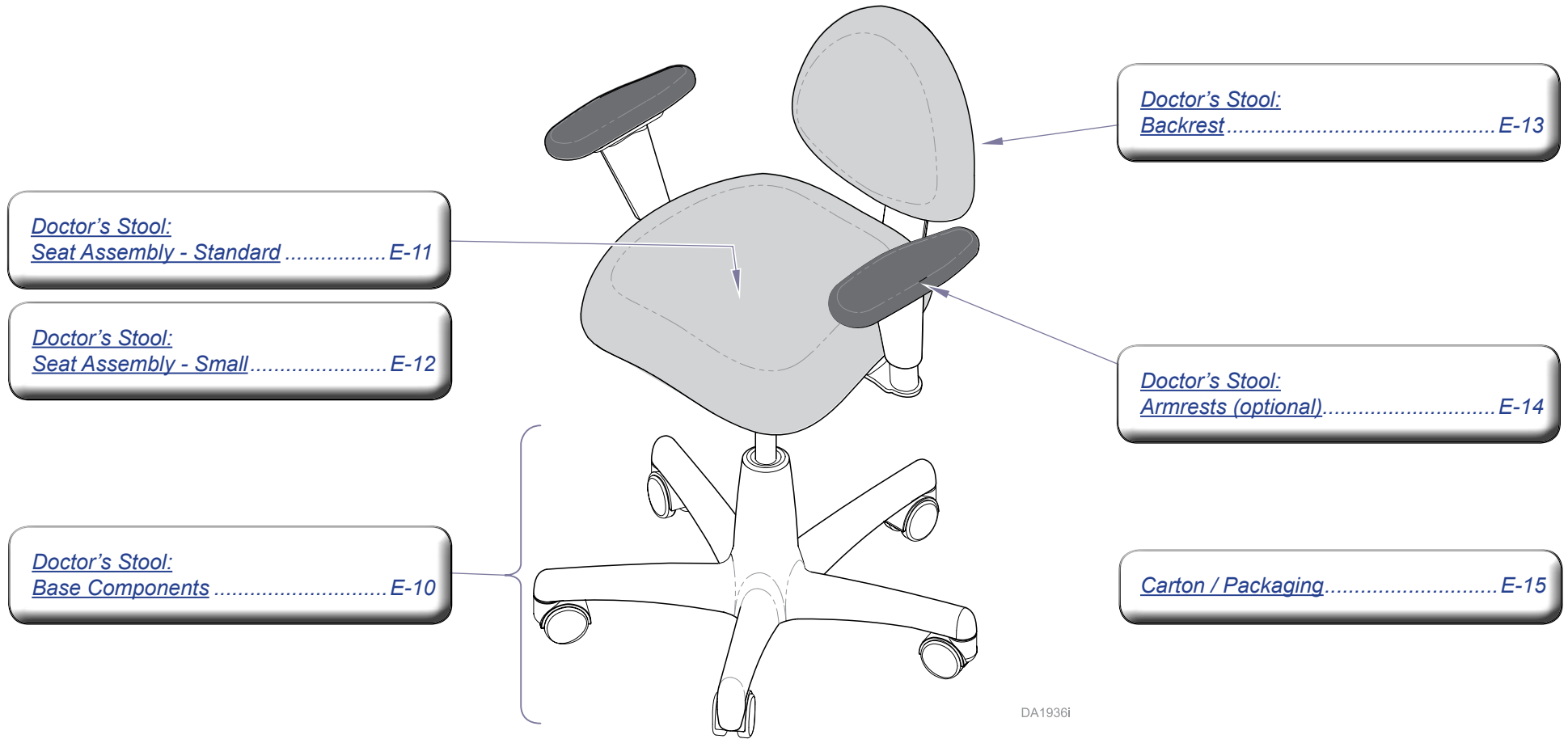
Assistant's Stool



Models:	153812	
Serial Numbers:	<i>all</i>	

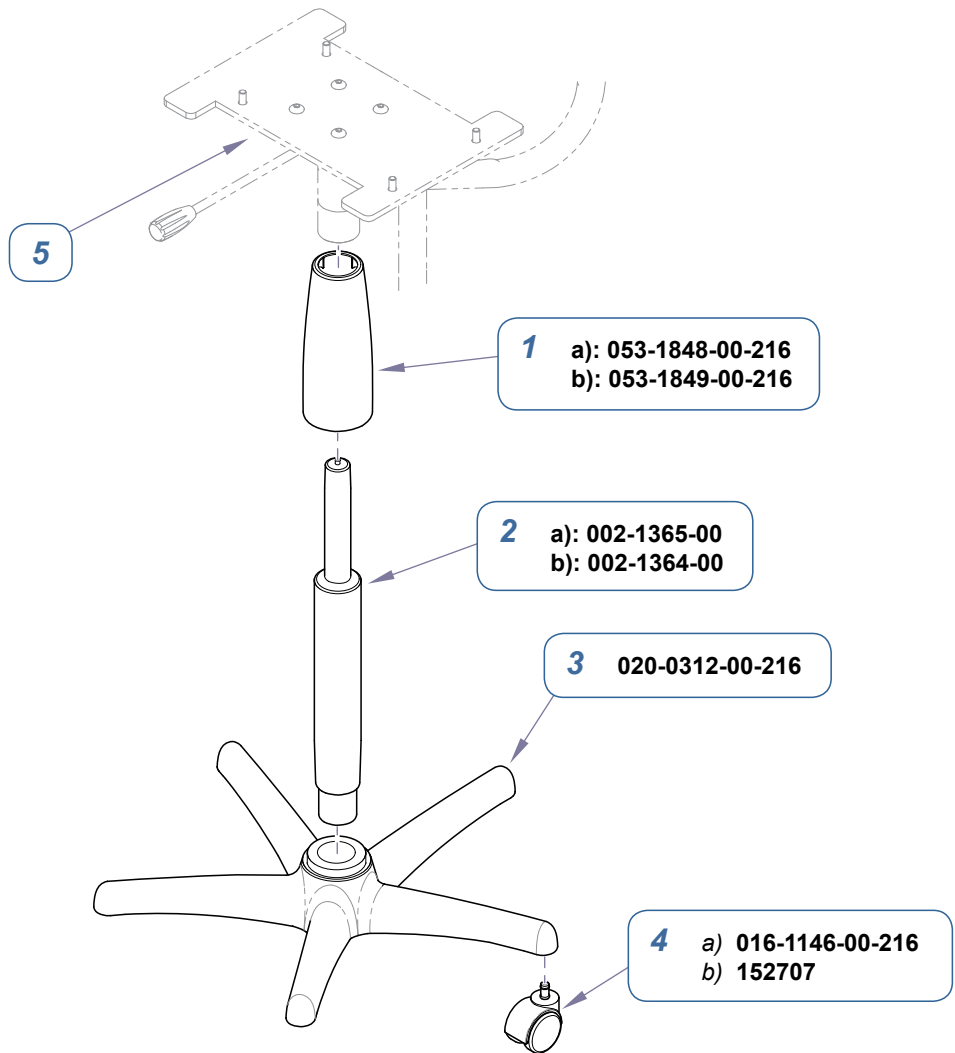
** Indicates multiple pages due to a serial number break for the parts illustration.*

Doctor's Stool



Models:	153811
Serial Numbers:	<i>all</i>

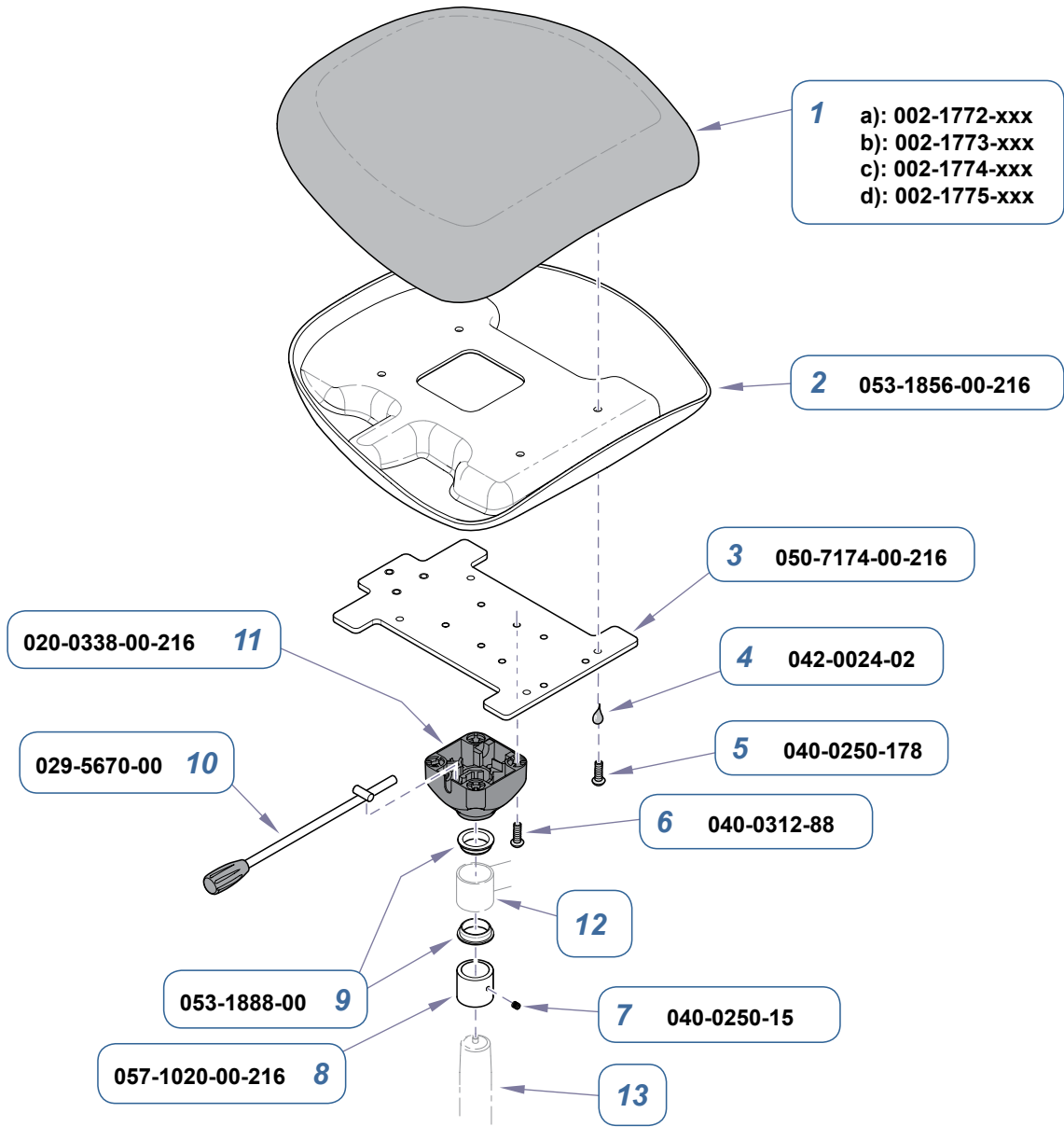
** Indicates multiple pages due to a serial number break for the parts illustration.*



DA1933i

Models:	153812	153812	
Serial Numbers:	V2200 thru V1498212	VAG00001 thru Present	

Assistant's Stool: Base Components		
Item	Description	Qty.
1	Collar a) Standard b) Short	1
2	Gas Cylinder a) Standard b) Short	1
3	Base	1
4	a) Caster - single b) Caster Set (includes 5 casters)	5 1
5	Refer to: "Asst's Stool: Seat Components"	Ref



1 a): 002-1772-xxx
 b): 002-1773-xxx
 c): 002-1774-xxx
 d): 002-1775-xxx

2 053-1856-00-216

3 050-7174-00-216

4 042-0024-02

5 040-0250-178

6 040-0312-88

12

7 040-0250-15

13

020-0338-00-216 **11**

029-5670-00 **10**

053-1888-00 **9**

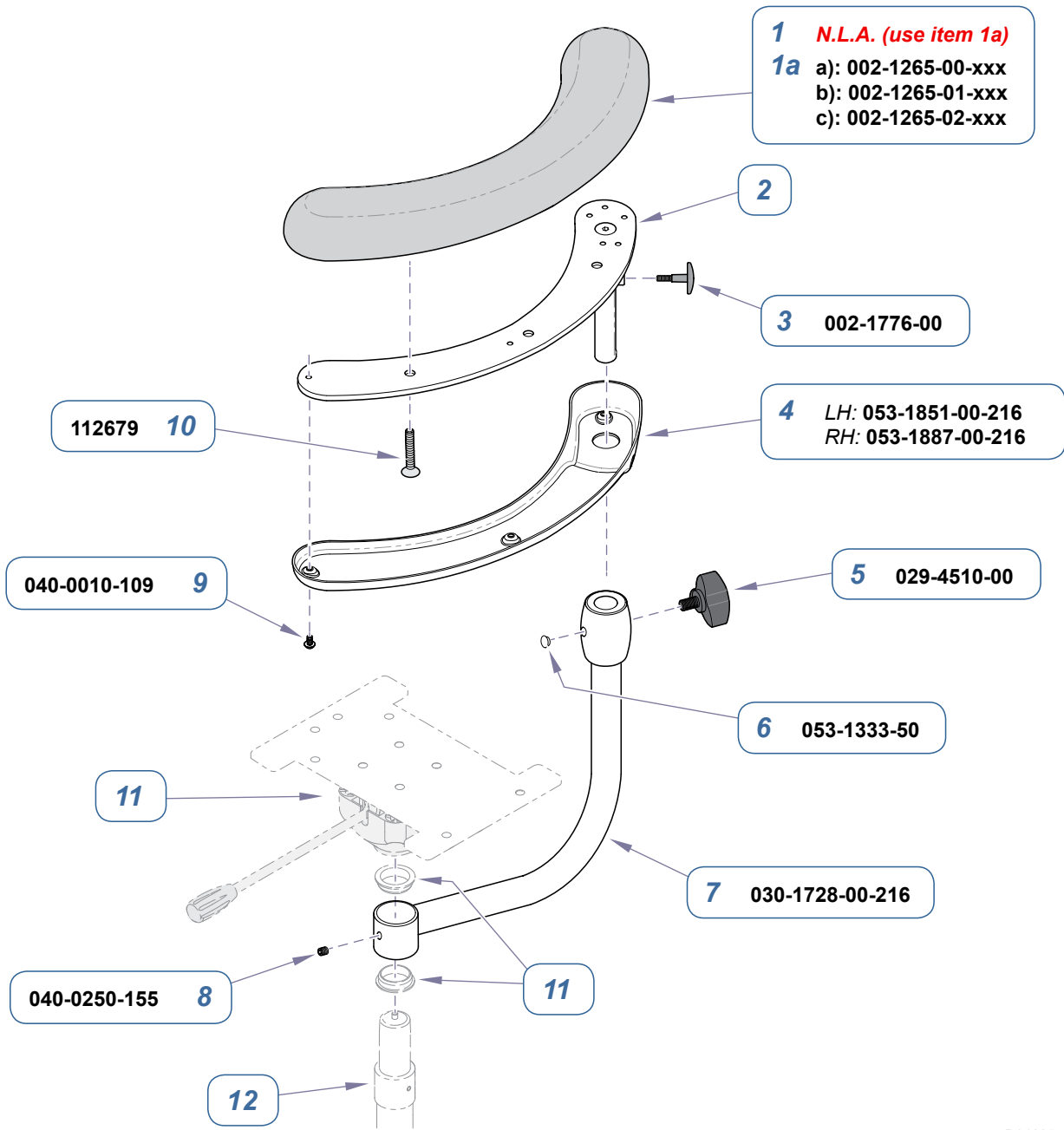
057-1020-00-216 **8**

DA1934i

Assistant's Stool: Seat Components

Item	Description	Qty.
1	Upholstered Seat Pad Kit a) Ultra-Leather b) Ultra-Leather CAL 133 c) Heat / Stretch / Pull d) Vacuum Formed	1
2	Bottom Cover	1
3	Mounting Plate	1
4	Medium Strength Thread Adhesive	1
5	Screw (1/4-20 x 1")	4
6	Screw (5/16-18 x 5/8")	4
7	Setscrew (1/4-20 x 5/16")	1
8	Collar	1
9	Bushing	2
10	Release Handle	1
11	Housing	1
12	Refer to: " Asst's Stool: Body Support "	Ref
13	Refer to: " Asst's Stool: Base Components "	Ref

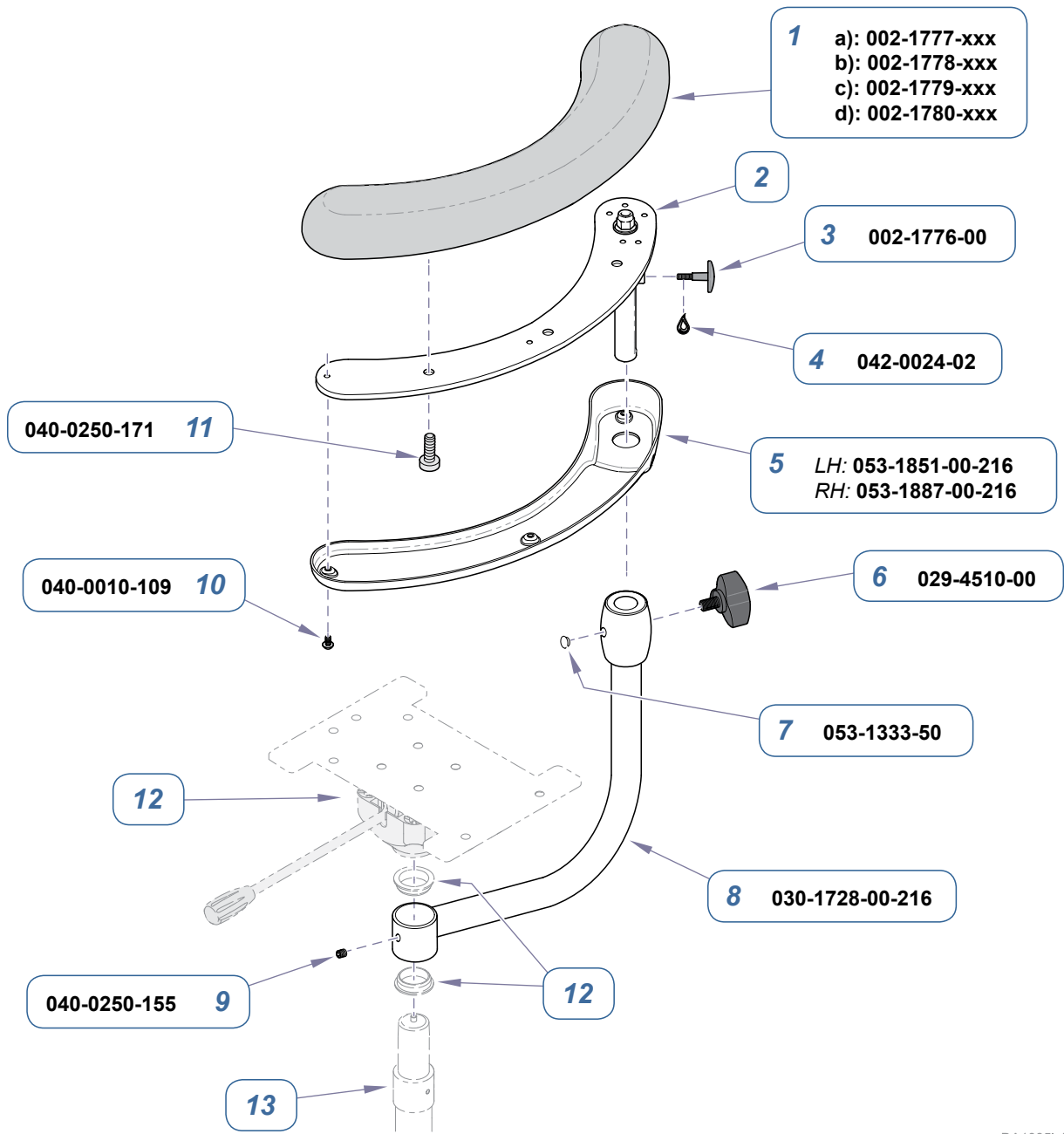
Models:	153812	153812	
Serial Numbers:	V2200 thru V1498212	VAG00001 thru Present	



Assistant's Stool: Body Support		
Item	Description	Qty.
1	Upholstered AB Support Pad <i>(Upholstered AB Support Pad "No Longer Available", use appropriate kit [item 1a])</i>	1
1a	Upholstered Replacement Kit. a) Ultra-Leather b) Heat / Stretch / Pull c) Vacuum Formed	
2	Refer to: "Asst's Stool: Ratchet Assembly"	Ref
3	Ratchet Release Lever Kit	1
4	Cover	1
5	Height Adjustment Knob	1
6	Hole Plug	1
7	Tube Weldment	1
8	Set Screw (1/4-20 x 1/4")	1
9	Screw (#10-24 x 3/8")	3
10	Screw (3/8-16 x 1")	3
11	Refer to: "Asst's Stool: Seat Components"	Ref
12	Refer to: "Asst's Stool: Base Components"	Ref

DA1935i

Models:	153812
Serial Numbers:	V2200 thru V835992



1 a): 002-1777-xxx
 b): 002-1778-xxx
 c): 002-1779-xxx
 d): 002-1780-xxx

3 002-1776-00

4 042-0024-02

5 LH: 053-1851-00-216
 RH: 053-1887-00-216

6 029-4510-00

7 053-1333-50

8 030-1728-00-216

040-0250-171 **11**

040-0010-109 **10**

12

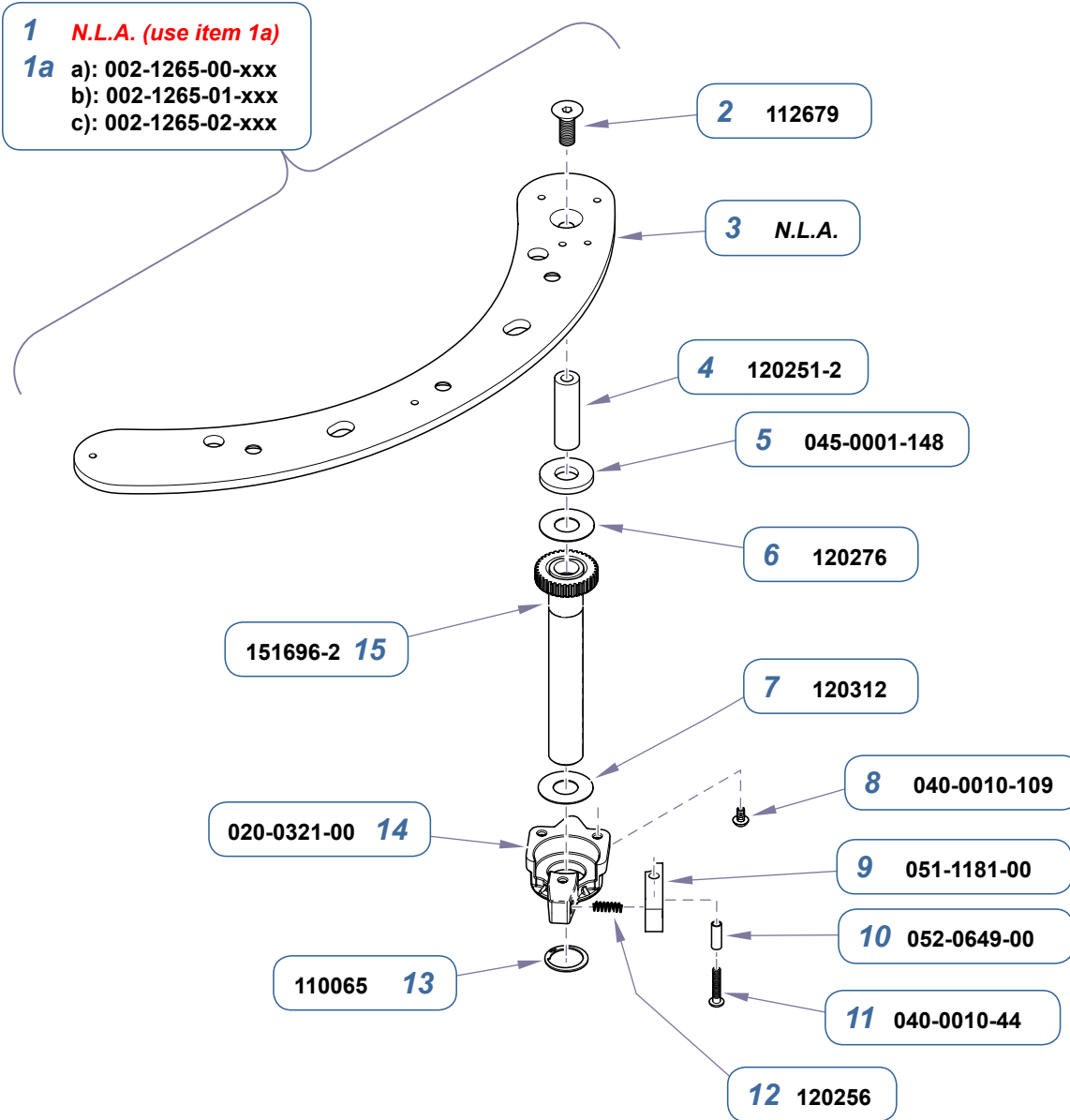
040-0250-155 **9**

13

DA1935i-1

Models:	153812	153812	
Serial Numbers:	V2200 thru V1498212	VAG00001 thru Present	

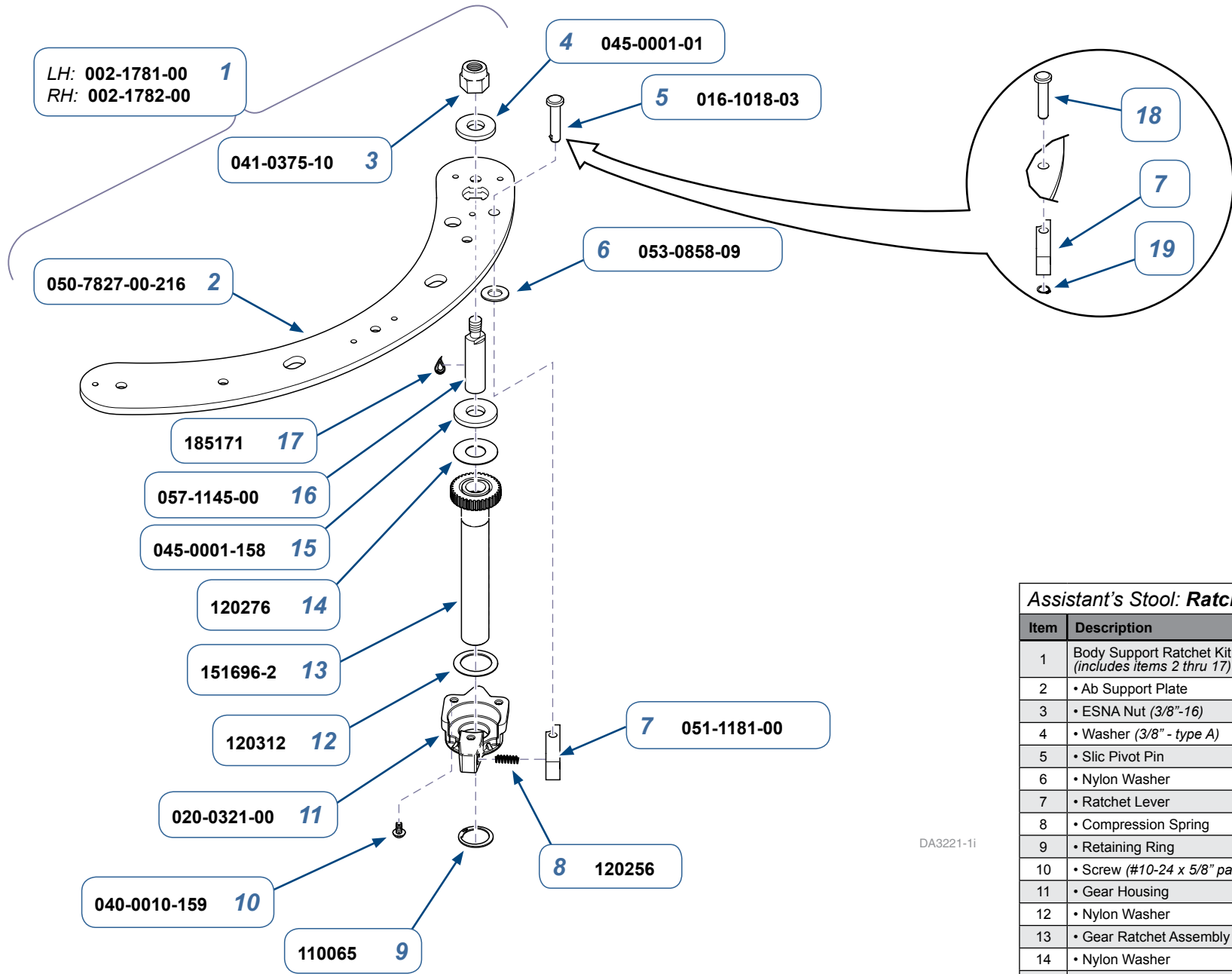
Assistant's Stool: Body Support		
Item	Description	Qty.
1	Upholstered Replacement Kit a) Ultra-Leather b) Ultra-Leather CAL133 c) Heat / Stretch / Pull d) Vacuum Formed	1
2	Refer to: " Asst's Stool: Ratchet Assembly "	Ref
3	Ratchet Release Lever Kit	1
4	Thread Adhesive	AR
5	Cover	1
6	Height Adjustment Knob	1
7	Hole Plug	1
8	Tube Weldment	1
9	Set Screw (1/4-20 x 1/4")	1
10	Screw (#10-24 x 3/8")	3
11	Screw (1/4-20 x 7/8 Pan Hd Phil. w/ Scotch Grip™)	3
12	Refer to: " Asst's Stool: Seat Components "	Ref
13	Refer to: " Asst's Stool: Base Components "	Ref



Assistant's Stool: Ratchet Assembly		
Item	Description	Qty.
1	Body Support Ratchet Assy. (LH shown) (includes items 2 thru 15) (Complete Ratchet Assembly "No Longer Available", use appropriate kit [item 1a])	1
1a	Upholstered Replacement Kit (only includes items 2 thru 4 plus upholstery [not shown]) a) Ultra-Leather (specify color) b) Heat / Stretch / Pull (specify color) c) Vacuum Formed (specify color)	1
2	• Screw (3/8-16 x 1")	1
3	• Support Plate (LH shown) [No Longer Available]	1
4	• Threaded Stud	1
5	• Spring Washer	1
6	• Nylon Washer	1
7	• Nylon Washer	1
8	• Screw (#10-24 x 3/8")	3
9	• Ratchet Lever	1
10	• Bushing	1
11	• Screw (#10-24 x 1")	1
12	• Compression Spring	1
13	• Retaining Ring	1
14	• Gear Housing	1
15	• Gear Ratchet Assembly	1

DA32211

Models:	153812
Serial Numbers:	V2200 thru V835992

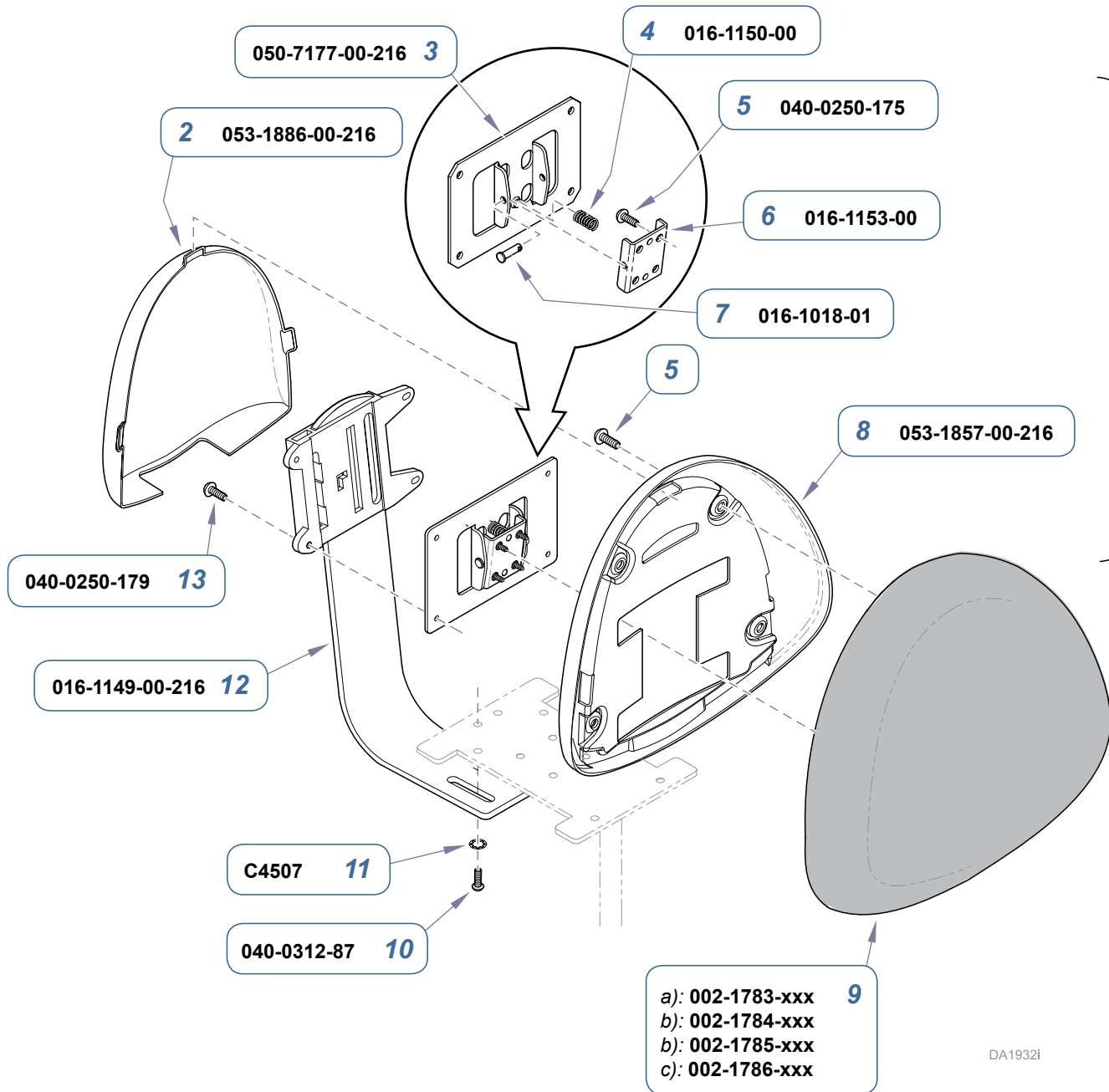


DA3221-11

Assistant's Stool: Ratchet Assembly

Item	Description	Qty.
1	Body Support Ratchet Kit Assy. (LH shown) (includes items 2 thru 17)	1
2	• Ab Support Plate	1
3	• ESNA Nut (3/8"-16)	1
4	• Washer (3/8" - type A)	1
5	• Slic Pivot Pin	1
6	• Nylon Washer	1
7	• Ratchet Lever	1
8	• Compression Spring	1
9	• Retaining Ring	1
10	• Screw (#10-24 x 5/8" pan hd. type TT)	3
11	• Gear Housing	1
12	• Nylon Washer	1
13	• Gear Ratchet Assembly	1
14	• Nylon Washer	1
15	• Wave Spring Washer (5/8")	3
16	• Ab Support Stud	1
17	• Bearing Grease	AR
18	• Pivot Pin (replaced with item #5)	Obs
19	• External Retaining Ring (early units ONLY, no longer needed, replaced with item #5)	NR

Models:	153812	153812	
Serial Numbers:	V2200 thru V1498212	VAG00001 thru Present	

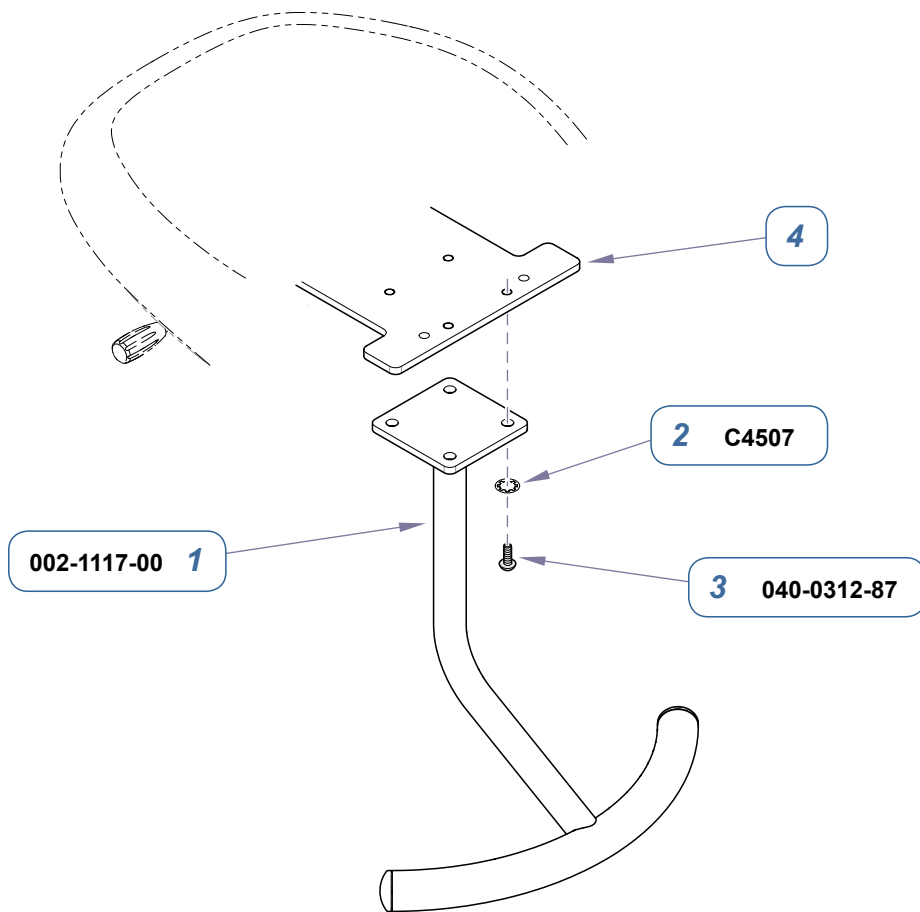


1 a): 002-1114-00-xxx
 b): 002-1114-01-xxx
 c): 002-1114-02-xxx

9 a): 002-1783-xxx
 b): 002-1784-xxx
 b): 002-1785-xxx
 c): 002-1786-xxx

Assistant's Stool: <i>Backrest</i>		
Item	Description	Qty.
1	Backrest Assembly ([includes items 2 - 13] a) Backrest Assembly with Ultra Upholster b) Backrest Assembly with Ultra Leather CAL 133 c) Backrest Assembly with HSP Upholster d) Backrest Assembly with Vac Form Upholster	1
2	• Back Cover	1
3	• Hinge Plate	1
4	• Compression Spring	1
5	• Screw (1/4-20 x 1/2")	8
6	• Hinge Bracket	1
7	• Pivot Pin	1
8	• Back Cover - Large	1
9	• Upholstered Backrest Pad a) Ultra-Leather b) HSP (Heat / Stretch / Pull) c) Vacuum Formed	1
10	• Screw (5/16-18 x 5/8")	3
11	• Star Washer (5/16")	3
12	• Backrest Bar Assembly	1
13	• Screw (1/4-20 x 5/8")	4

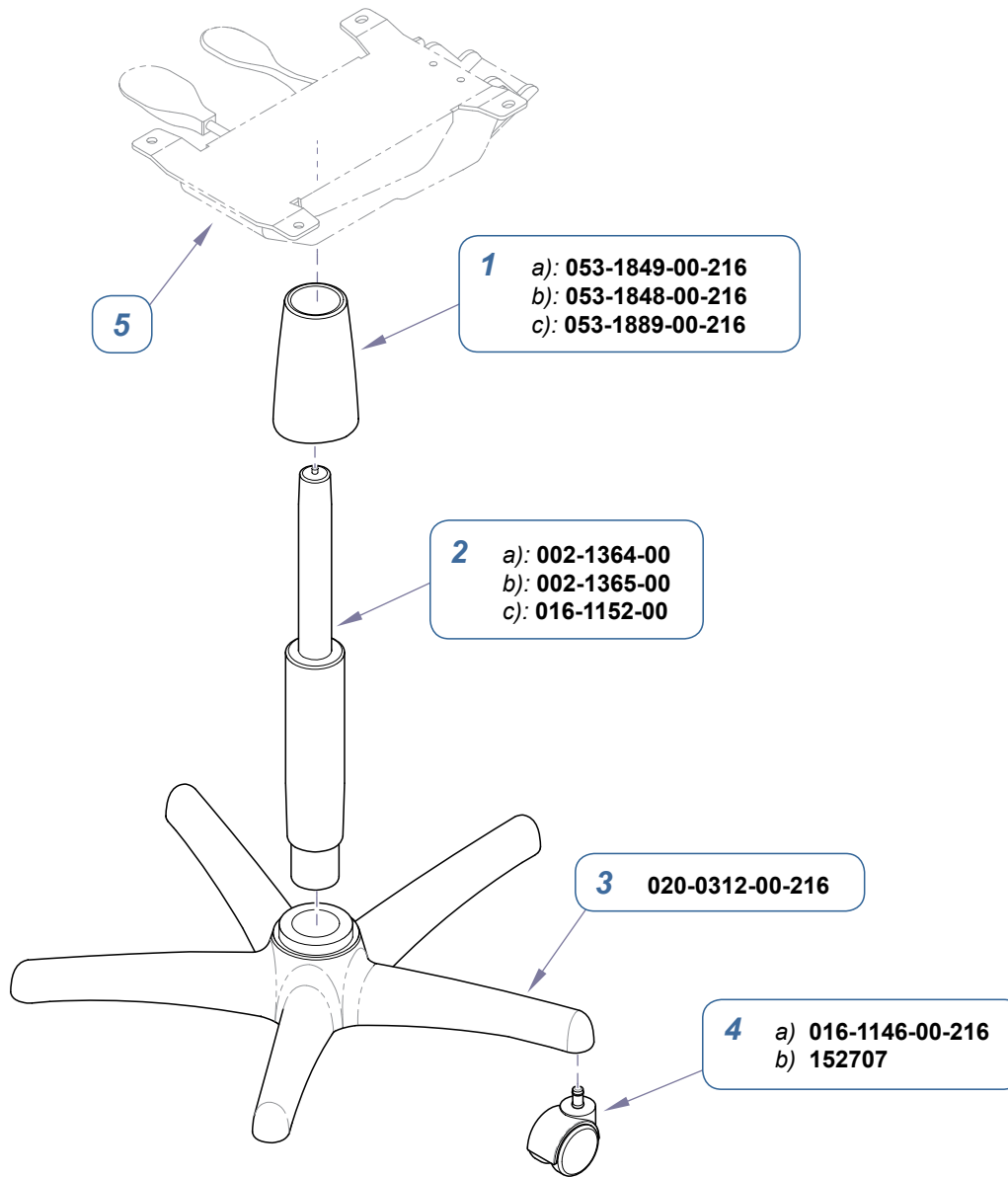
Models:	153812	153812
Serial Numbers:	V2200 thru V1498212	VAG00001 thru Present



DA1978i

Models:	153812	153812	
Serial Numbers:	V2200 thru V1498212	VAG00001 thru Present	

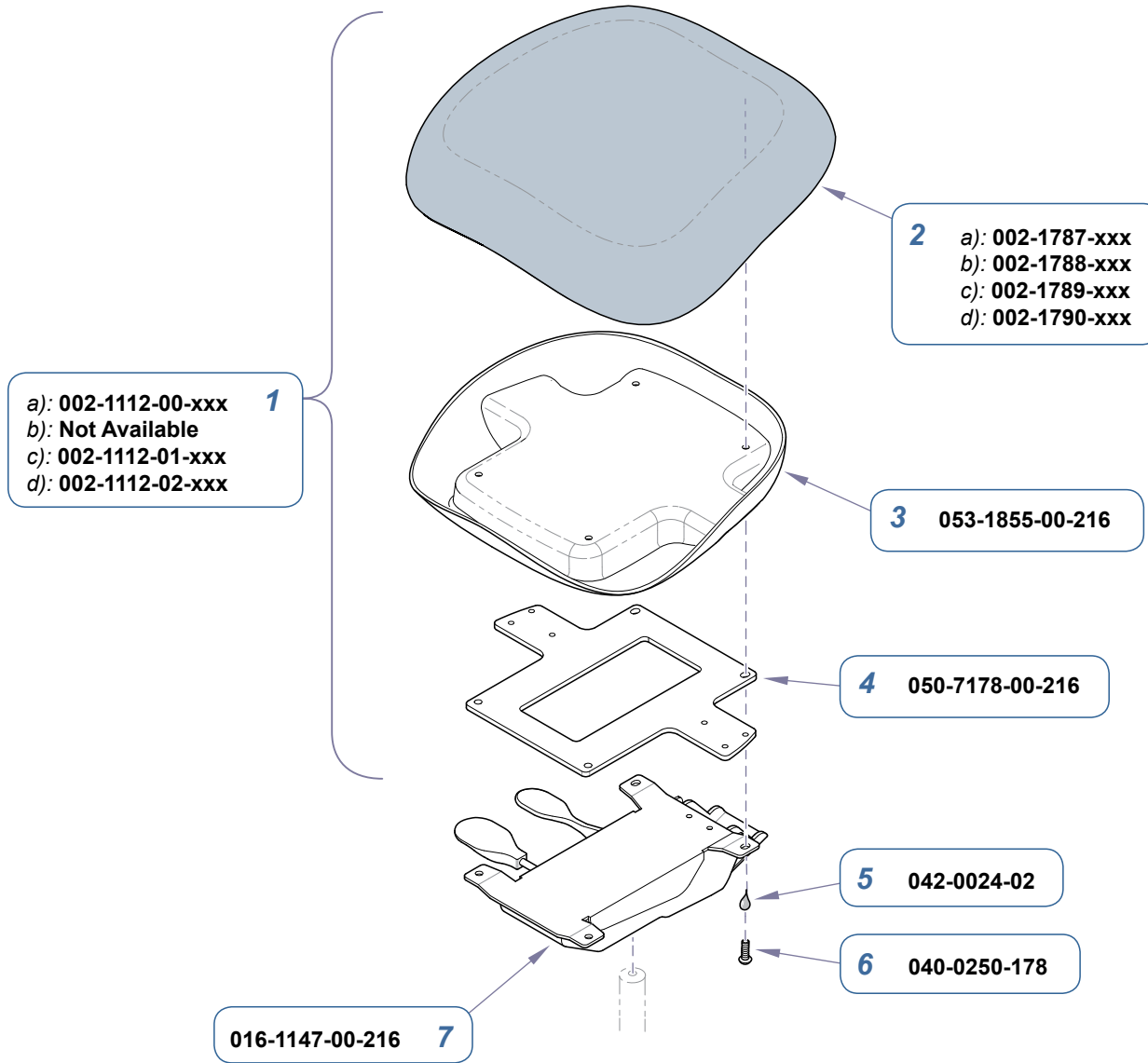
Assistant's Stool: Footrest		
Item	Description	Qty.
1	Footrest Kit (includes items 2 & 3)	1
2	• Star Washer (5/16")	4
3	• Screw (5/16-18 x 5/8")	4
4	Refer to: " Asst's Stool: Seat Components "	Ref



DA1938i

Models:	153811	153811
Serial Numbers:	V2200 thru V1498252	VAG000001 thru Present

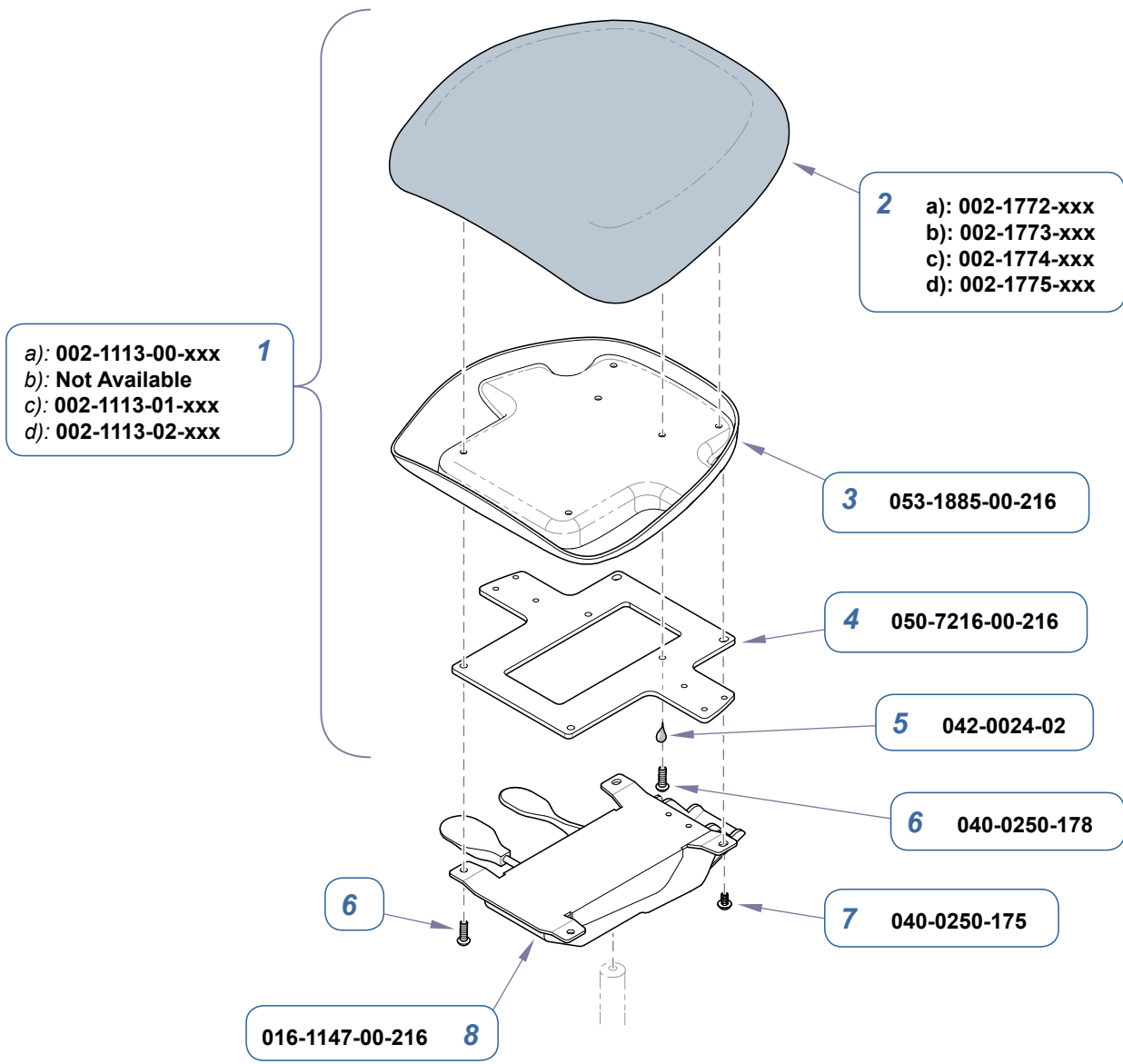
Doctor's Stool: Base Components		
Item	Description	Qty.
1	Collar a) Standard b) Tall c) Short	1
2	Gas Cylinder a) Standard b) Tall c) Short	1
3	Base	1
4	a) Caster - single b) Caster Set (includes 5 casters)	5 1
5	Refer to: "Doctor's Stool: Seat Assembly"	Ref



DA1939i

Doctor's Stool: Seat Assembly - Standard		
Item	Description	Qty.
1	Doctor's Seat Kit - Standard (incl. items 2 thru 6) a.) Ultra-Leather b.) Ultra-Leather CAL133 (not available as a kit) c.) Heat / Stretch / Pull d.) Vacuum Formed	1
2	• Upholstered Seat Pad a.) Ultra-Leather b.) Ultra-Leather CAL133 c.) Heat / Stretch / Pull d.) Vacuum Formed	1
3	• Bottom Cover	1
4	• Mounting Plate	1
5	• Medium Strength Thread Adhesive	1
6	• Screw (1/4-20 x 7/8")	4
7	Release Mechanism	1

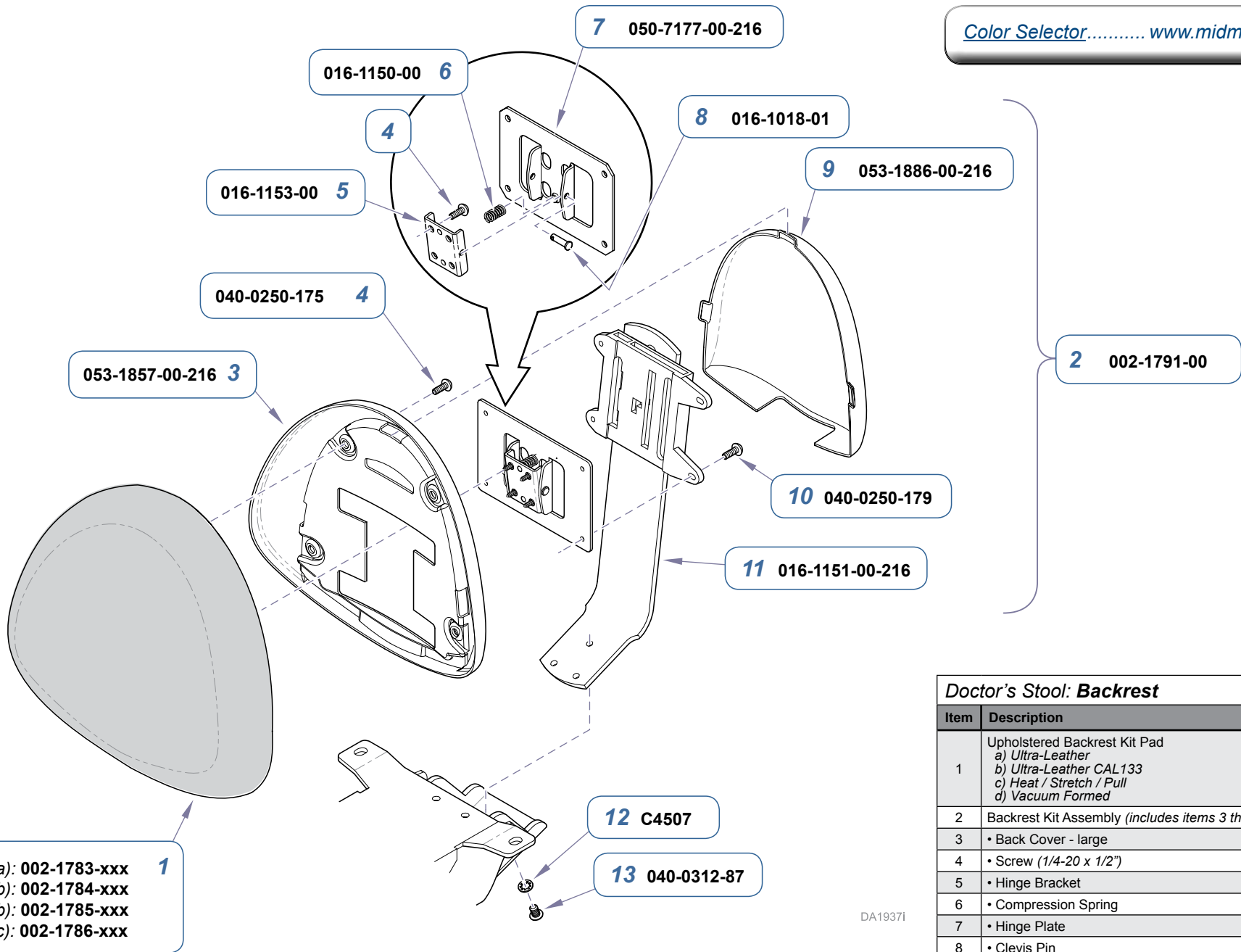
Models:	153811	153811	
Serial Numbers:	V2200 thru V1498252	VAG000001 thru Present	



DA19771

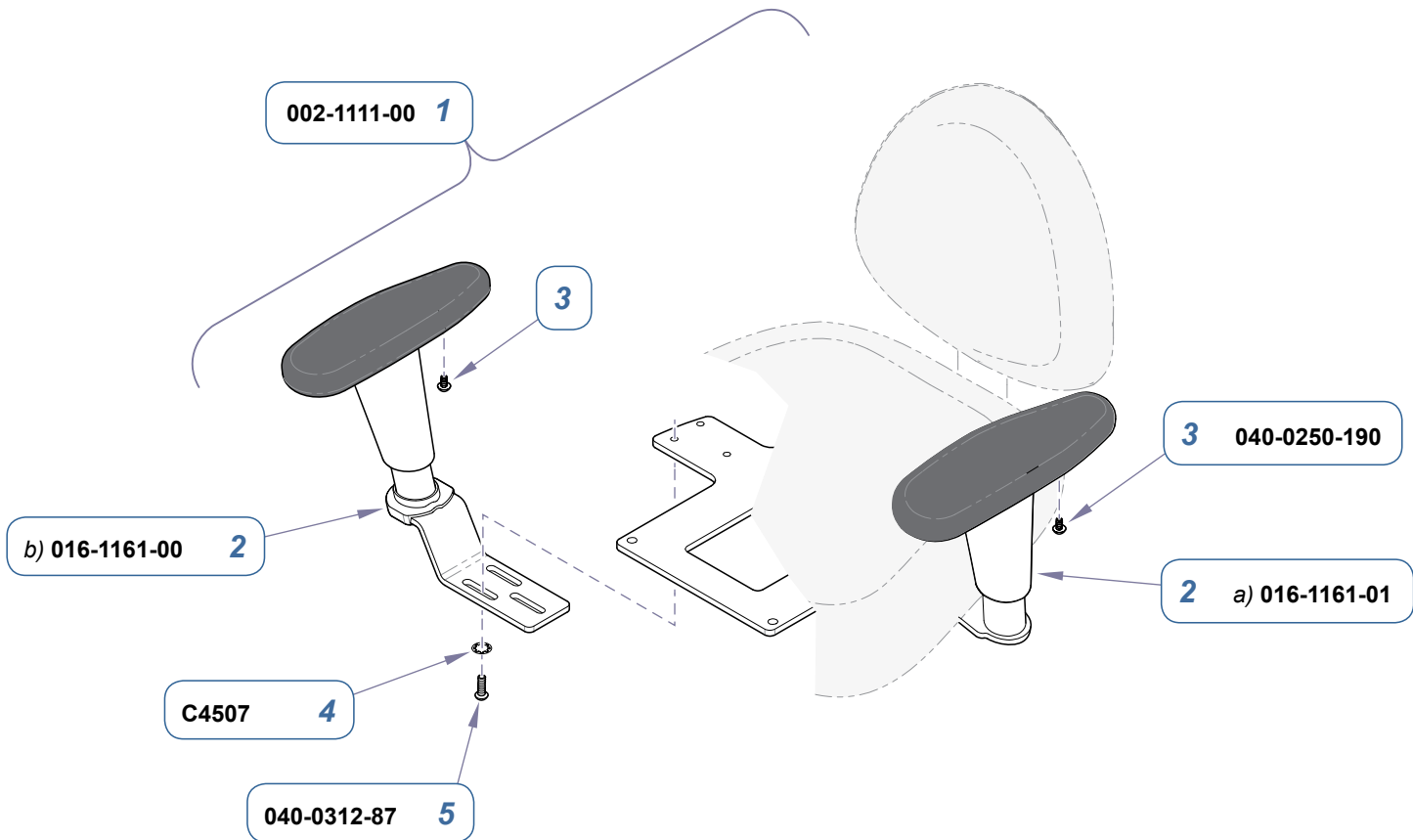
Doctor's Stool: Seat Assembly - Small		
Item	Description	Qty.
1	Doctor's Seat Kit - Small (incl. items 2 thru 7) a.) Ultra-Leather b.) Ultra-Leather CAL133 (not available as a kit) c.) Heat / Stretch / Pull d.) Vacuum Formed	1
2	• Upholstered Seat Pad a.) Ultra-Leather b.) Ultra-Leather CAL133 c.) Heat / Stretch / Pull d.) Vacuum Formed	1
3	• Bottom Cover	1
4	• Mounting Plate	1
5	• Medium Strength Thread Adhesive	1
6	• Screw (1/4-20 x 7/8")	4
7	• Screw (1/4-20 x 1/2")	2
8	Release Mechanism	1

Models:	153811	153811
Serial Numbers:	V2200 thru V1498252	VAG000001 thru Present



Doctor's Stool: Backrest		
Item	Description	Qty.
1	Upholstered Backrest Kit Pad a) Ultra-Leather b) Ultra-Leather CAL133 c) Heat / Stretch / Pull d) Vacuum Formed	1
2	Backrest Kit Assembly (includes items 3 thru 11)	1
3	• Back Cover - large	1
4	• Screw (1/4-20 x 1/2")	8
5	• Hinge Bracket	1
6	• Compression Spring	1
7	• Hinge Plate	1
8	• Clevis Pin	1
9	• Back Cover - small	1
10	• Screw (1/4-20 x 5/8")	4
11	• Backrest Bar Assembly	1
12	Star Washer (5/16")	3
13	Screw (5/16-18 x 5/8")	3

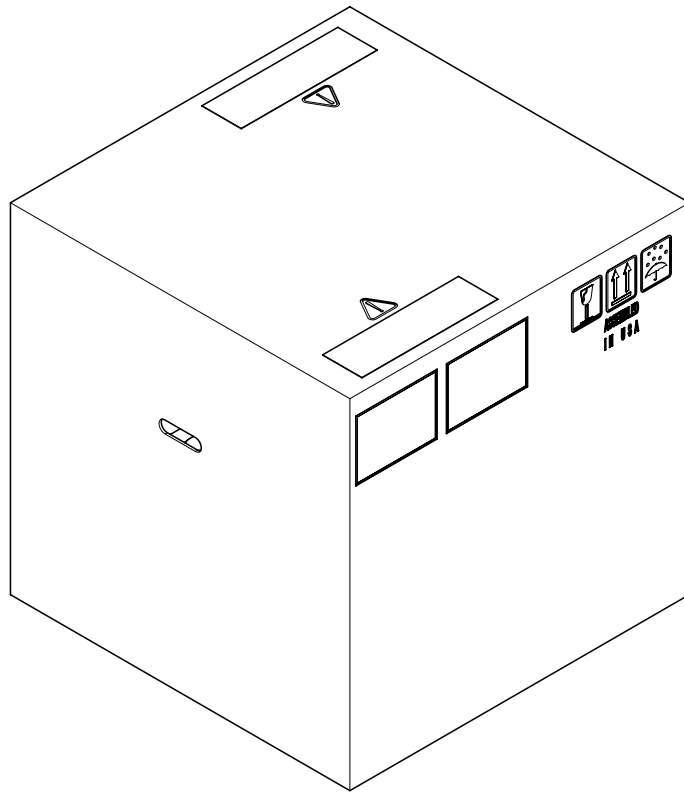
Models:	153811	153811	
Serial Numbers:	V2200 thru V1498252	VAG000001 thru Present	



DA1940i

Models:	153811	153811
Serial Numbers:	V2200 thru V1498252	VAG000001 thru Present

Doctor's Stool: Armrests		
Item	Description	Qty.
1	Doctor's Armrest Kit (incl. items 2 thru 5)	1
2	• Chair Arm Assembly (includes item 3) a) LH b) RH	1
3	• • Screw (1/4-20 x 1/2" truss head)	2
4	• Star Washer (5/16")	4
5	• Screw (5/16-18 x 5/8")	4



- 1**
- a): 027-1209-00
 - b): 027-1209-01
 - c): 027-1210-00
 - d): 027-1210-01

DS3630i

Models:	153811	153812	
Serial Numbers:	<i>all</i>	<i>all</i>	

<i>Carton / Packaging</i>		
Item	Description	Qty.
1	Carton / Packaging Bundle	1
	<i>a) for Dr's Stool (standard cylinder)</i>	-
	<i>b) for Dr's Stool (tall cylinder)</i>	-
	<i>c) for Asst's Stool (standard cylinder)</i>	-
	<i>d) for Asst's Stool (tall cylinder)</i>	-

Midmark Corporation
60 Vista Drive
P.O.Box 286
Versailles, OH 45380-0286
(937) 526-3662
Fax (937) 526-5542

www.midmark.com



Because we care.